

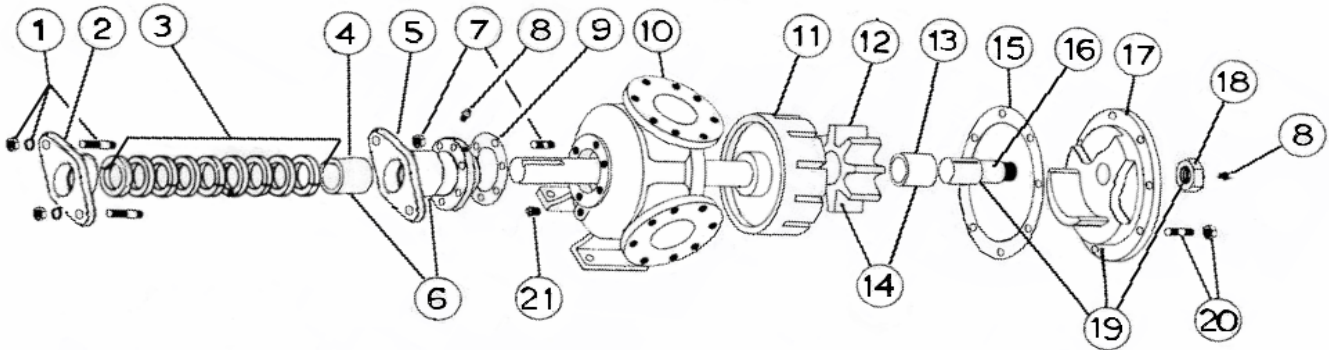
VICAN GENERAL PURPOSE UNMOUNTED PUMP

BULLETIN:	EVD-R32P-C
PAGE:	1
EFFECTIVE:	A.11/04

MODEL R-32 with Packing

Subject to change without notice
F.O.B. Windsor, Ontario

Supersedes all previous parts lists



ITEM	DESCRIPTION	MATERIAL	PART NUMBER	QTY	PRICE
1	Packing Gland	Iron	370-02-180-310	1	
2	Packing Gland Fasteners	5/8-11 Stud X 3 1/2" Long	355-00-461-620	2	
		5/8 Lockwasher	355-00-541-660	2	
		5/8-11 Heavy Hex Nut	355-00-601-660	2	
3	Packing Set	Standard - Up To 500 Deg F - C1065	365-00-850-780	1	
		High Temperature - 1625GF	365-00-850-280	1	
4	RBS Bushing	Bronze	175-02-250-050	1	
		Carbon	2-126-008-880-03	1	
5	Rotor Bearing Sleeve (RBS)	Iron	445-02-305-310	1	
6	RBS and Bushing Ass'y	Iron / Bronze	450-03-320-330	1	
		Iron / Carbon	450-03-320-332	1	
7	RBS Fasteners	5/8-11x2 1/2 T3/4 N1 1/8 Stud	355-00-458-620	6	
		5/8 Heavy Hex Nut	355-00-601-660	6	
8	Grease Fitting	1/8 NPT Straight Grease Fitting	325-00-025-605	2	
9	RBS Gasket	Standard	245-00-130-240	1	
10	Casing	Iron	190-02-955-310	1	
11	Rotor and Shaft Ass'y	Iron / Steel	455-03-770-349	1	
		Ductalloy / Steel	455-03-770-139	1	
12	Idler	Iron	280-02-380-310	1	
13	Idler Bushing	Bronze	175-02-300-050	1	
		Carbon	175-02-300-140	1	
14	Idler and Bushing ass'y	Iron / Bronze	285-03-380-330	1	
		Iron / Carbon	285-03-380-332	1	
15	Head Gasket	Standard	245-00-090-240	3	
16	Idler Pin	Steel - Greasable	295-00-270-690	1	
17	Head	Iron	270-03-600-350	1	
18	Idler Pin Nut	2 1/2 - 8 Hex Nut	355-00-635-660	1	
19	Head and Idler Pin Ass'y	Iron / Steel - Greasable	265-02-600-310	1	
20	Head Bolts	3/4-10x2 3/4 T1 N1 Stud	355-00-466-620	12	
		3/4-10 Heavy Hex Nut	355-00-609-660	12	
21	Pipe Plug	1/4-18 Hex Head	390-00-125-605	1	