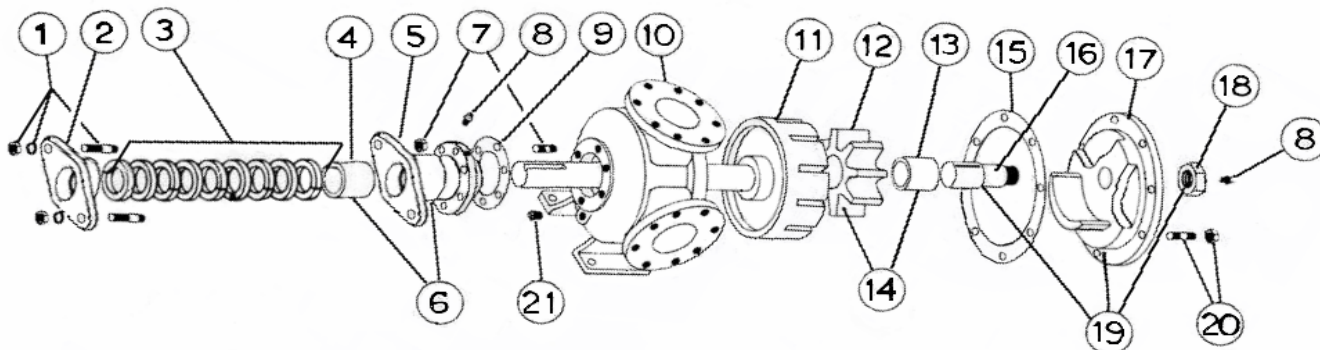


**MODEL N-32 with Packing**

Subject to change without notice  
F.O.B. Windsor, Ontario

Supersedes all previous parts lists



ITEM	DESCRIPTION	MATERIAL	PART NUMBER	QTY	PRICE
1	Packing Gland	Iron	370-02-180-310	1	
2	Packing Gland Fasteners	5/8-11 Stud X 3 1/2" Long	355-00-461-620	2	
		5/8 Lockwasher	355-00-541-660	2	
		5/8 - 11 NUT	355-00-601-660	2	
3	Packing Set	Standard - Up To 500 Deg F - C1065	365-00-850-780	1	
		High Temperature - 1625GF	365-00-850-280	1	
4	RBS Bushing	Bronze	175-02-250-050	1	
		Carbon	2-126-008-880-03	1	
5	Rotor Bearing Sleeve (RBS)	Iron	445-02-305-310	1	
6	RBS and Bushing Ass'y	Iron / Bronze	450-03-320-330	1	
		Iron / Carbon	450-03-320-332	1	
7	RBS Fasteners	5/8-11x2 1/4 T3/4 N7/8 Stud	355-00-455-620	6	
		5/8-11 Heavy Hex Nut	355-00-601-660	6	
8	Grease Fitting	1/8 NPT Straight Grease Fitting	325-00-025-605	2	
9	RBS Gasket	Standard	245-00-130-240	1	
10	Casing	Iron	190-02-935-310	1	
11	Rotor and Shaft Ass'y	Ductalloy / Steel	455-03-750-139	1	
12	Idler	Iron	2-423-200-100-70	1	
13	Idler Bushing	Bronze	2-129-008-454-05	1	
		Carbon	2-129-028-880-05	1	
14	Idler and Bushing ass'y	Iron / Bronze	285-03-360-330	1	
		Iron / Carbon	285-03-360-332	1	
15	Head Gasket	Standard	2-314-004-806-15	3	
16	Idler Pin	Steel - Greasable	295-00-250-690	1	
		Steel - Non-greasalbe	295-00-260-690	1	
17	Head	Iron	265-02-580-310	1	
18	Idler Pin Nut	1 1/2 X 6 Finished Hex Jam Nut	355-00-625-660	1	
19	Head and Idler Pin Ass'y	Iron / Steel - Greasable	270-03-585-350	1	
		Iron / Steel - Non-Greasable	270-03-580-350	1	
20	Head Bolts	5/8-11x2 1/2 T3/4 N1 1/8 Stud	355-00-458-620	8	
		5/8-11 Heavy Hex Nut	355-00-601-660	8	
21	Pipe Plug	1/4-18 Hex Head	390-00-125-605	1	