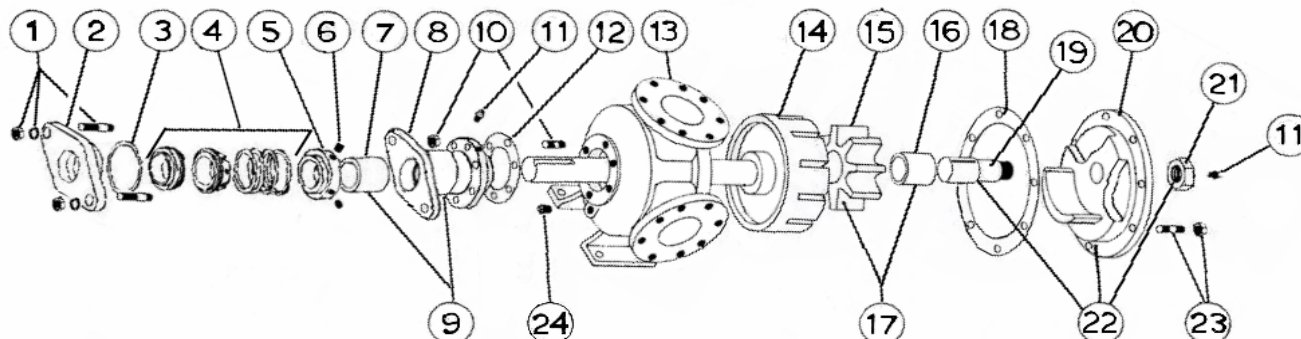


MODEL M-32 with Mechanical Seal

Subject to change without notice
F.O.B. Windsor, Ontario

Supercedes all previous parts lists



ITEM	DESCRIPTION	MATERIAL	PART NUMBER	QTY	PRICE
1	Seal Seat Retainer Fasteners	5/8-11x1 3/4 Hex Cap Screw Grade 5	355-00-146-670	2	
2	Seal Seat Retainer	Steel	355-00-541-660	2	
3	Seal Seat Retainer O-ring	Buna	470-02-644-310	1	
4	Mechanical Seal Ass'y	Buna / Carbon vs Ni-Resist / SS - BF871	335-00-240-015	1	
5	Driving Ring	Steel	330-00-150-620	1	
6	Driving Ring Set Screws	1/4-20x1/4 Cup Point Set Screw	355-00-271-660	2	
7	RBS Bushing	Bronze	175-02-240-050	1	
		Carbon	175-02-240-140	1	
8	Rotor Bearing Sleeve (RBS)	Iron	445-02-085-310	1	
9	RBS and Bushing Ass'y	Iron / Bronze	450-03-085-330	1	
		Iron / Carbon	450-03-085-332	1	
10	RBS Fasteners	5/8-11x2 1/4 Hex Cap Screw Grade 5	355-00-152-670	6	
11	Grease Fitting	1/8 NPT Straight Grease Fitting	325-00-025-605	2	
12	RBS Gasket	Standard	245-00-120-240	1	
13	Casing	Iron	190-02-895-310	1	
14	Rotor and Shaft Ass'y	Ductalloy / Steel	455-03-730-139	1	
15	Idler	Iron	2-423-001-100-70	1	
16	Idler Pin	Steel - Greasable	295-00-230-690	1	
		Steel - Non-greasable	295-00-240-690	1	
17	Idler and Bushing ass'y	Iron / Bronze	285-03-340-330	1	
		Iron / Carbon	285-03-340-332	1	
18	Head Gasket	Standard	2-314-004-806-15	3	
19	Idler Pin	Steel - Greasable	295-00-230-690	1	
		Steel - Non-greasable	295-00-240-690	1	
20	Head	Iron	265-02-560-310	1	
21	Idler Pin Nut	1 1/2 X 6 Finished Hex Jam Nut	355-00-625-660	1	
22	Head and Idler Pin Ass'y	Iron / Steel - Greasable	270-03-560-350	1	
		Iron / Steel - Non-Greasable	270-03-563-350	1	
23	Head Fasteners	5/8-11x2 1/2 Hex Cap Screw Grade 5	355-00-157-670	8	
24	Pipe Plug	1/8 NPT Hex Head Plug	390-00-050-605	3	