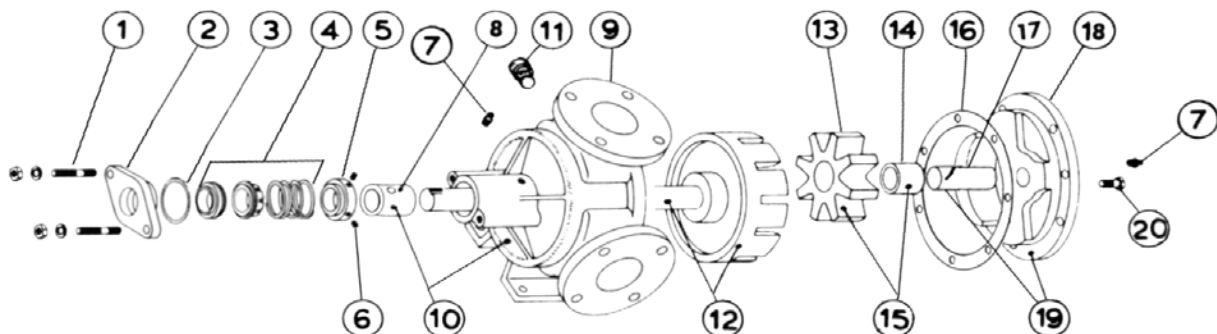


**MODEL L-32 and LQ-32 with Mechanical Seal**

Subject to change without notice  
F.O.B. Windsor, Ontario

Supersedes all previous parts lists



ITEM	DESCRIPTION	MATERIAL	PART NUMBER	QTY	PRICE
1	Seal Seat Retainer Fasteners	7/16-14x1 1/4 Hex Cap Screw Grade 5	355-00-088-670	2	
		7/16 Lock Washer	355-00-535-660	2	
2	Seal Seat Retainer	Steel	470-02-584-310	1	
3	Seal Seat Retainer Oring	#229 Buna	360-00-560-120	1	
4	Mechanical Seal Ass'y	Buna / Carbon vs Ni-Resist / SS - BF871	335-00-180-045	1	
		Viton / Carbon vs Ni-Resist / SS - XP871	335-00-210-055	1	
5	Driving Ring	Steel	330-00-125-620	1	
6	Set Screws	1/4-20x1/4 Cup Point Socket Set Screw	355-00-271-660	2	
7	Grease Fitting	Steel - 1/8 NPT Straight Grease Fitting	325-00-025-605	2	
8	Casing Bushing	Bronze	175-02-200-050	1	
		Carbon	2-095-011-880-00	1	
9	Casing	L-32 Iron	190-02-640-310	1	
		LQ-32 Iron	190-02-680-310	1	
10	Casing and Bushing Ass'y	L-32 Iron / Bronze	185-03-600-330	1	
		L-32 Iron / Carbon	185-03-600-332	1	
		LQ-32 Iron / Bronze	185-03-670-330	1	
		LQ-32 Iron / Carbon	185-03-670-332	1	
11	Pipe Plug	1/4-18 Hex Head Pipe Plug	390-00-125-605	2	
12	Rotor and Shaft Ass'y	Iron / Steel	455-03-540-349	1	
		Ductalloy / Steel	455-03-540-139	1	
13	Idler	Iron	280-02-260-310	1	
14	Idler Bushing	Bronze	2-116-008-454-04	1	
		Carbon	2-116-017-880-04	1	
15	Idler and Bushing ass'y	Iron / Bronze	285-03-260-330	1	
		Iron / Carbon	285-03-260-332	1	
16	Head Gasket	Standard	245-00-060-240	2	
17	Idler Pin	Steel - Greasable	2-436-006-291-00	1	
		Steel Non-greasable	295-00-180-690	1	
18	Head	Iron - Plain	265-02-400-310	1	
		Iron - Relief Valve	265-02-410-310	1	
19	Head and Idler Pin Ass'y	Iron - Plain / Steel - Greasable	270-03-400-350	1	
		Iron - Relief Valve / Steel - Greasable	270-03-410-350	1	
		Iron - Plain / Steel - Non-greasable	270-03-405-350	1	
		Iron - Relief Valve / Steel - Non-greasable	270-03-415-350	1	
20	Head Bolts	7/16-14x1 Hex Cap Screw	355-00-085-670	7	