

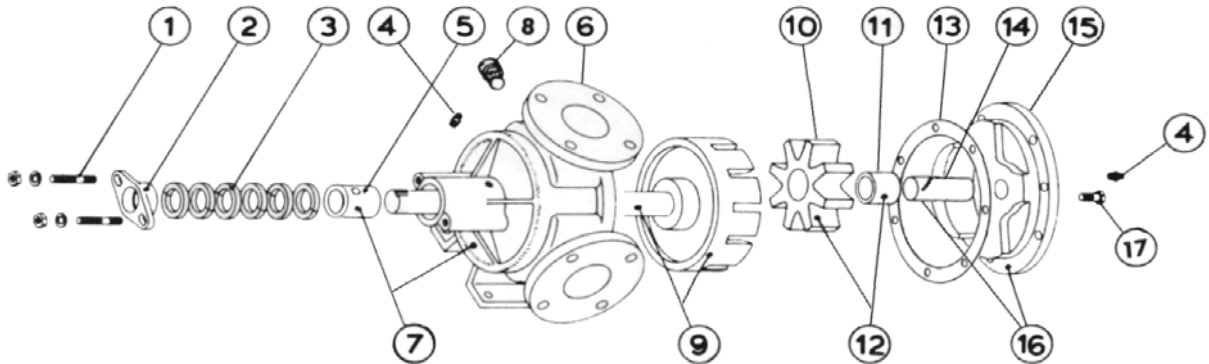
VICAN GENERAL PURPOSE UNMOUNTED PUMP

BULLETIN:	EVD-J32P-C
PAGE:	1
EFFECTIVE:	A.11/04

MODEL J-32 with Packing

Subject to change without notice
F.O.B. Windsor, Ontario

Supersedes all previous parts lists



ITEM	DESCRIPTION	MATERIAL	PART NUMBER	QTY	PRICE
1	Packing Gland Fasteners	5/16-18X2 T1/2 N1 Stud	355-00-414-620	2	
		5/16 Flat Washer	355-00-493-660	2	
		5/16 Lockwasher	355-00-529-660	2	
		5/16-18 Heavy Hex Nut	355-00-575-660	2	
2	Packing Gland	Iron	370-02-070-310	1	
3	Packing Set	Standard - Up To 500 Deg F - C1065	365-00-300-780	1	
		High Temperature - 1625GF	365-00-300-280	1	
4	Grease Fitting	Steel	325-00-025-605	2	
5	Casing Bushing	Bronze	175-02-130-050	1	
		Carbon	175-02-130-140	1	
6	Casing	Iron	190-02-355-310	1	
7	Casing and Bushing Ass'y	Iron / Bronze	185-03-180-330	1	
		Iron / Carbon	185-03-180-332	1	
8	Pipe Plug	1/4-18 Hex Head	390-00-125-605	1	
9	Rotor and Shaft Ass'y	Iron / Steel	455-03-360-349	1	
		Ductalloy / Steel	455-03-360-139	1	
10	Idler	Iron	280-02-180-310	1	
11	Idler Bushing	Bronze	2-108-030-454-02	1	
		Carbon	2-108-016-880-02	1	
12	Idler and Bushing ass'y	Iron / Bronze	285-03-180-330	1	
		Iron / Carbon	285-03-180-332	1	
13	Head Gasket	Standard	245-00-050-240	3	
14	Idler Pin	Steel - Greasable	295-00-090-690	1	
		Steel Non-greasable	295-00-100-690	1	
15	Head	Iron - Plain	265-02-210-310	1	
		Iron - Relief Valve	265-02-220-310	1	
16	Head and Idler Pin Ass'y	Iron - Plain / Steel - Greasable	270-03-210-350	1	
		Iron - Relief Valve / Steel - Greasable	270-03-225-350	1	
		Iron - Plain / Steel - Non-greasable	270-03-215-350	1	
		Iron - Relief Valve / Steel - Non-greasable	270-03-220-350	1	
17	Head Bolts	Plain 7/16-14x7/8 Hex Cap Screw Grade 5	355-00-082-670	6	
		Relief Valve 7/16-14x1 Hex Cap Screw Grade 5	355-00-085-670	4	