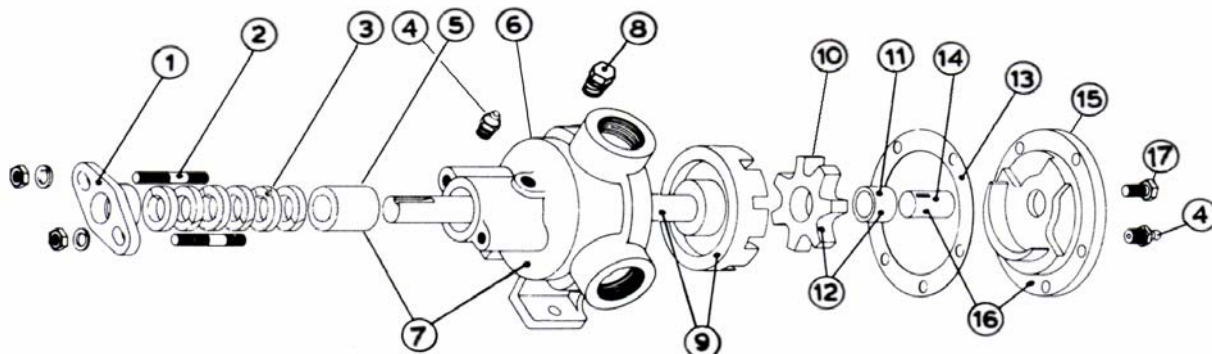


**MODEL H-32 with Packing**

Subject to change without notice  
F.O.B. Windsor, Ontario

Supercedes all previous parts lists



ITEM	DESCRIPTION	MATERIAL	PART NUMBER	QTY	PRICE
1	Packing Gland	Iron	370-02-045-310	1	
2	Packing Gland Fasteners	5/16-18x2 T1/2 N1 Stud	355-00-414-620	2	
		5/16 Flatwasher	355-00-493-660	2	
		5/16 Lockwasher	355-00-529-660	2	
		5/16-18 Heavy Hex Nut	355-00-575-660	2	
3	Packing Set	Standard - Up To 500 Deg F - C1065	365-00-200-780	1	
		High Temperature - 1625GF	365-00-200-280	1	
4	Grease Fitting	Steel - 1/8" NPT Straight Grease Fitting	325-00-025-605	2	
5	Casing Bushing	Bronze	175-02-070-050	1	
		Carbon	2-095-011-880-00	1	
6	Casing	Iron	190-02-175-310	1	
7	Casing and Bushing Ass'y	Iron / Bronze	185-03-175-330	1	
		Iron / Carbon	185-03-175-332	1	
8	Pipe Plug	1/8 NPT Hex Head	390-00-050-605	1	
9	Rotor and Shaft Ass'y	Iron / Steel	455-03-100-349	1	
		Ductalloy / Steel	455-03-100-139	1	
10	Idler	Iron	2-418-008-352-40	1	
11	Idler Bushing	Bronze	2-095-013-454-02	1	
		Carbon	2-095-010-880-02	1	
12	Idler and Bushing ass'y	Iron / Bronze	285-03-080-330	1	
		Iron / Carbon	285-03-080-332	1	
13	Head Gasket	Iron	245-00-046-240	2	
14	Idler Pin	Steel - Greasable	295-00-040-690	1	
		Steel - Non- Greasable	295-00-050-690	1	
15	Head	Iron - Plain	2-370-001-100-00	1	
		Iron - Relief Valve	265-02-060-310	1	
16	Head and Idler Pin Ass'y	Iron - Plain / Steel - Greasable	270-03-050-350	1	
		Iron - Relief Valve / Steel - Greasable	270-03-060-350	1	
		Iron - Plain / Steel - Non-greasable	270-03-055-350	1	
		Iron - Relief Valve / Steel - Non-greasable	270-03-065-350	1	
17	Head Fasteners	5/16-18x3/4 Hex Cap Screw Grade 5	355-00-035-670	5	