

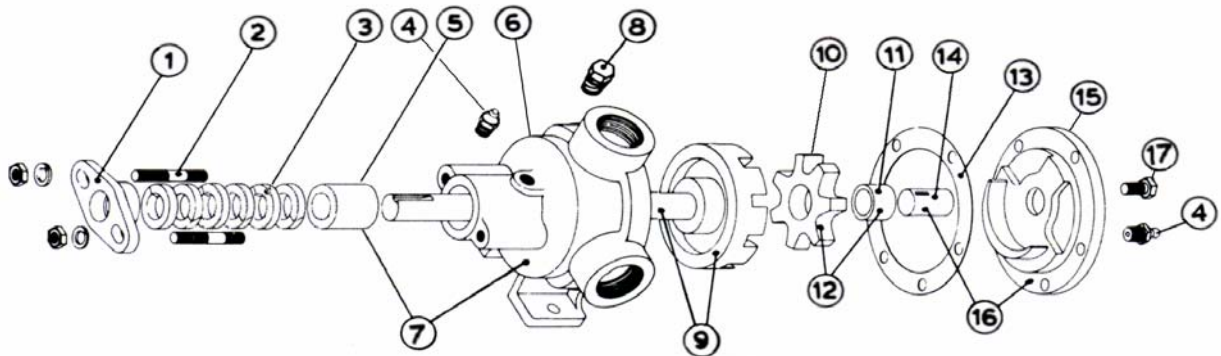
VICAN GENERAL PURPOSE UNMOUNTED PUMP

BULLETIN:	EVD-GX2-32P-C
PAGE:	1
EFFECTIVE:	A.11/04

MODEL GX2-32 with Packing

Subject to change without notice  
F.O.B. Windsor, Ontario

Supersedes all previous parts lists



(Not Exactly As Shown)

ITEM	DESCRIPTION	MATERIAL	PART NUMBER	QTY	PRICE
1	Packing Gland	Iron	370-02-010-310	1	
2	Packing Gland Fasteners	5/16-18x2 T1/2 N1 Stud	355-00-414-620	2	
		5/16 Flat Washer	355-00-493-660	2	
		5/16 Lock Washer	355-00-529-660	2	
		5/16-18 Heavy Nut	355-00-575-660	2	
3	Packing Set	Standard - Up To 500 Deg F - C1065	365-00-150-780	1	
		High Temperature - 1625GF	365-00-150-280	1	
4	Grease Fitting	Steel - 1/8 NPT Straight Grease Fitting	325-00-025-605	1	
5	Casing Bushing	Bronze	175-02-040-050	1	
		Carbon	175-02-040-140	1	
6	Casing	Iron	190-02-135-310	1	
7	Casing and Bushing Ass'y	Iron / Bronze		1	
		Iron / Carbon		1	
8	Pipe Plug	Steel - 1/8 NPT Hex Head Plug	390-00-050-605	2	
9	Rotor and Shaft Ass'y	Ductalloy / Steel	455-03-010-139	1	
10	Idler	Iron	2-417-001-353-40	1	
11	Idler Bushing	Bronze	2-091-005-454-02	1	
		Carbon	2-091-003-80-02	1	
12	Idler and Bushing ass'y	Iron / Bronze	285-03-040-330	1	
		Iron / Carbon	285-03-040-332	1	
13	Head Gasket	Standard	245-00-036-240	2	
14	Idler Pin	Steel - Solid	295-00-030-690	1	
15	Head	Iron - Plain	265-02-010-310	1	
		Iron - Relief Valve	2-366-002-100-00	1	
16	Head and Idler Pin Ass'y	Iron - Plain / Steel Solid	270-03-010-350	1	
		Iron - Relief Valve / Steel Solid	270-03-020-350	1	
17	Head Fasteners	Plain	1/4-20x3/4 Hex Cap Screw Grade 5	355-00-015-670	6
		Relief Valve	1/4-20x5/8 Sochet Head Cap Screw	355-00-205-660	6