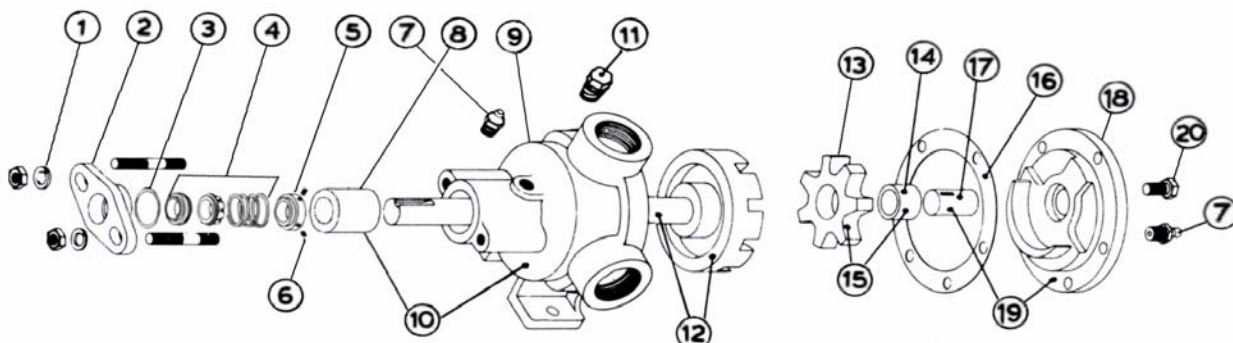


MODEL G-32 with Mechanical Seal

Subject to change without notice
F.O.B. Windsor, Ontario

Supercedes all previous parts lists



ITEM	DESCRIPTION	MATERIAL	PART NUMBER	QTY	PRICE
1	Seal Seat Retainer Fasteners	5/16-18x7/8 Hex Cap Screw Grade 5	355-00-041-670	2	
		5/16 Lock Washer	355-00-529-660	2	
2	Seal Seat Retainer	Steel	470-02-006-640	1	
3	Seal Seat Retainer Oring	#031 - Buna	360-00-500-120	1	
4	Mechanical Seal Ass'y	Buna / Carbon vs Ni-Resist / SS - BF171	335-00-020-243	1	
		Viton / Carbon vs Ni-Resist / SS - XP171	335-00-020-250	1	
5	Driving Ring	Steel	330-00-025-620	1	
6	Set Screws	1/4-20x1/4 Cup Point Socket Set Screw	355-00-271-660	2	
7	Grease Fitting	1/8 NPT Straight Grease Fitting	325-00-025-605	2	
8	Casing Bushing	Bronze	175-02-040-050	1	
		Carbon	175-02-040-140	1	
9	Casing	Iron	190-02-100-310	1	
10	Casing and Bushing Ass'y	Iron / Bronze		1	
		Iron / Carbon		1	
11	Pipe Plug	Steel	390-00-050-605	2	
12	Rotor and Shaft Ass'y	Ductalloy / Steel	455-03-010-139	1	
13	Idler	Iron	2-417-001-353-40	1	
14	Idler Bushing	Bronze	2-091-005-454-02	1	
		Carbon	2-091-003-880-02	1	
15	Idler and Bushing ass'y	Iron / Bronze	285-03-040-330	1	
		Iron / Carbon	285-03-040-332	1	
16	Head Gasket	Standard	245-00-036-240	2	
17	Idler Pin	Steel - Solid	295-00-030-690	1	
18	Head	Iron - Plain	265-02-010-310	1	
		Iron - Relief Valve	2-366-002-100-00	1	
19	Head and Idler Pin Ass'y	Iron - Plain / Steel Solid	270-03-010-350	1	
		Iron - Relief Valve / Steel Solid	270-03-020-350	1	
20	Head Fasteners	Plain 1/4-20x3/4 Hex Cap Screw Grade 5	355-00-015-670	6	
		Relief Valve 1/4-20x5/8 Sochet Head Cap Screw	355-00-205-660	6	