

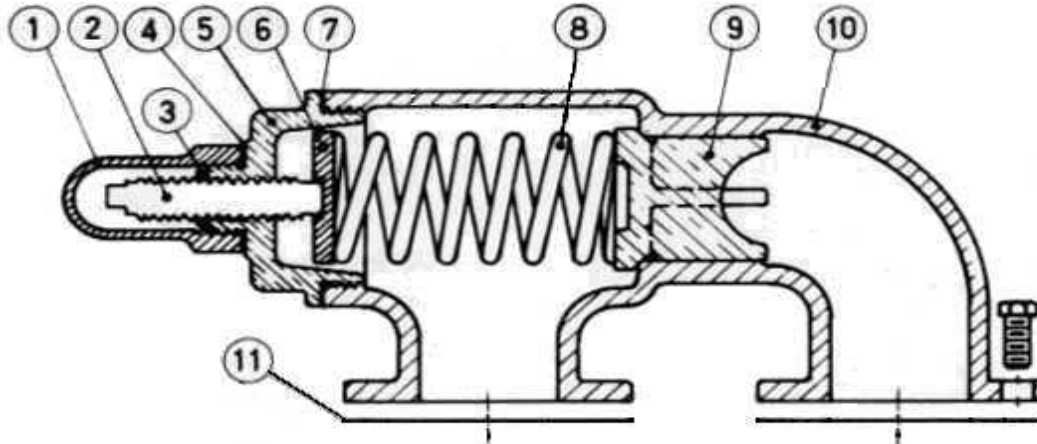
MODEL "R" Relief Valve

For Pump Models: R-332

Relief Valve Assembly Part Numbers	
Range	Standard Relief Valve
30-60 PSI	425-03-620-310
70-200 PSI	425-03-600-310

Subject to change without notice
F.O.B. Factory

Supersedes all previous parts lists



ITEM	DESCRIPTION	MATERIAL	PART NUMBER	QTY	PRICE
1	Bonnet	Iron	405-02-500-310	1	
2	Adjusting Screw	Steel	399-02-400-605	1	
3	Adjusting Nut	Steel	355-00-620-660	2	
4	Bonnet Gasket	Standard	322-027-1-013	1	
5	Cap	Iron	410-02-500-310	1	
6	Retainer Disc	Iron	420-02-400-310	1	
7	Cap Gasket	Standard	245-00-320-240	1	
8	Spring	Steel (Green) 30-60 PSI Range	495-00-450-725	3	
		Steel (Orange) 70-200 PSI Range	495-00-400-725	3	
9	Poppet	Iron	415-02-700-310	1	
10	Relief Valve Body	Iron - Standard RV	400-02-550-310	1	
11	Port Gasket	Standard .015	245-00-250-240	2	