

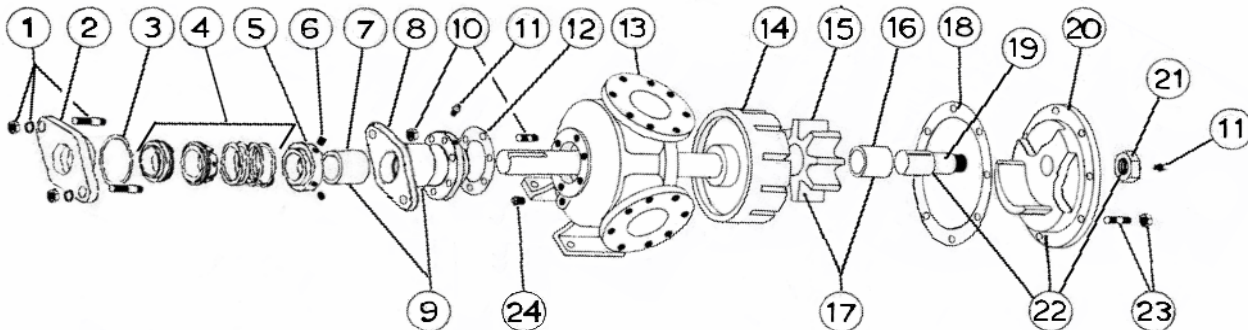
VICAN GENERAL PURPOSE JACKETED UNMOUNTED PUMP

BULLETIN: EVD-Q230S-C
 PAGE: 1
 EFFECTIVE: B. 19/11/2007

MODEL Q-230 with Mechanical Seal

Subject to change without notice
 F.O.B. Factory

Supercedes all previous parts lists



ITEM	DESCRIPTION	MATERIAL	PART NUMBER	QTY	PRICE
1	Seal Seat Retainer Fasteners	5/8-11x1 3/4 Hex Cap Screw Grade 5	355-00-146-670	2	
		5/8 Lockwasher	355-00-541-660	2	
2	Seal Seat Retainer	Steel	470-02-644-310	1	
3	Seal Seat Retainer Oring	Buna	360-00-620-120	1	
4	Mechanical Seal Ass'y	Buna / Carbon vs Ni-Resist / SS - BF871	335-00-250-015	1	
		Viton / Carbon vs Ceramic / SS - XP1C1	335-00-250-019	1	
5	Driving Ring	Steel	330-00-150-620	1	
6	Driving Ring Set Screws	1/4-20x1/4 Cup Point Set Screw	355-00-271-660	2	
7	RBS Bushing	Bronze	175-02-240-050	1	
		Carbon	175-02-240-140	1	
8	Rotor Bearing Sleeve (RBS)	Iron - Non-Jacketed - For Buna or Viton Seal	445-02-085-310	1	
		Iron - Jacketed - For Buna or Viton Seal	Consult Factory	1	
9	RBS and Bushing Ass'y	Iron / Bronze - Non-Jacketed	450-03-085-330	1	
		Iron / Carbon - Non-Jacketed	450-03-085-332	1	
		Iron / Bronze - Jacketed	Consult Factory	1	
		Iron / Carbon - Jacketed	Consult Factory	1	
10	RBS Fasteners	5/8-11x2 1/4 Hex Cap Screw Grade 5	355-00-152-670	6	
		1/8 NPT Straight Grease Fitting	325-00-025-605	2	
11	Grease Fitting	1/8 NPT Straight Grease Fitting	325-00-025-605	2	
12	RBS Gasket	Standard	245-00-120-240	1	
13	Casing	Iron	190-02-873-310	1	
14	Rotor and Shaft Ass'y	Iron / Steel	455-03-690-349	1	
		Ductalloy / Steel	455-03-690-139	1	
15	Idler	Iron	280-02-320-310	1	
16	Idler Bushing	Bronze	2-129-007-454-05	1	
		Carbon	2-129-009-880-05	1	
17	Idler and Bushing ass'y	Iron / Bronze	285-03-320-330	1	
		Iron / Carbon	285-03-320-332	1	
18	Head Gasket	Standard	245-00-070-240	3	
16	Idler Pin	Steel - Greasable	295-00-230-690	1	
		Steel - Non-greasable	295-00-240-690	1	
20	Head	Iron - RV Style - Non-Jacketed	265-02-540-310	1	
		Iron - Plain Head - Jacketed	265-02-550-310	1	
20A	Blanking Plates (not shown)	Iron - To make RV Style Head a Plain Head	160-02-125-310	2	
21	Idler Pin Nut	1 1/2 X 6 Finished Hex Jam Nut	355-00-625-660	1	
22	Head and Idler Pin Ass'y	Iron - Non-Jacketed - RV Style / Steel - Greasable	270-03-540-350	1	
		Iron - Non-Jacketed - RV Style / Steel - Non-Greasable	270-03-545-350	1	
		Iron - Jacketed - Plain Head / Steel - Greaseable	270-03-550-350	1	
		Iron - Jacketed - Plain Head / Steel - Non-Greaseable	270-03-555-350	1	
23	Head Fasteners	5/8-11x2 1/2 Hex Cap Screw Grade 5	355-00-143-670	8	
24	Pipe Plug	1/4-18 Hex Head	390-00-125-605	3	

VICAN PUMP, A UNIT OF IDEX CORPORATION, 661 Grove Ave., Windsor, Ontario, N9A 6M3, Canada