

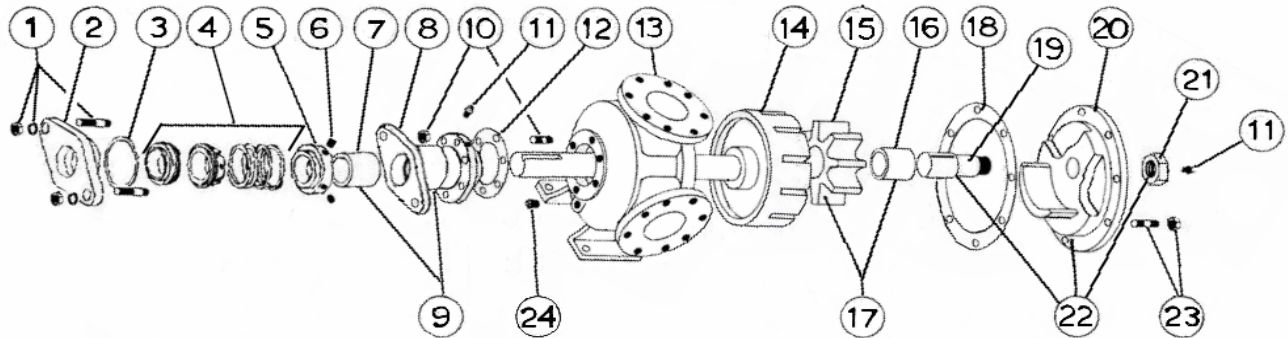
VICAN GENERAL PURPOSE JACKETED UNMOUNTED PUMP

BULLETIN: EVD-N230S-C  
 PAGE: 30  
 EFFECTIVE: A.05/09/2002

**MODEL N-230 with Mechanical Seal**

Subject to change without notice  
 F.O.B. Factory

Supersedes all previous parts lists



ITEM	DESCRIPTION	MATERIAL	PART NUMBER	QTY	PRICE
1	Seal Seat Retainer Fasteners	3/4-10x2 3/4 T1 N1 Stud	355-00-466-620	2	
		3/4 Lockwasher	355-00-544-620	2	
		3/4-10 Heavy Hex Nut	355-00-609-660	2	
2	Seal Seat Retainer	Steel	470-02-812-620	1	
3	Seal Seat Retainer Oring	Buna	360-00-620-120	1	
4	Mechanical Seal Ass'y	Buna / Carbon vs Ni-Resist / SS - BF871	335-00-250-015	1	
		Viton / Carbon vs Ceramic / SS - XP1C1	335-00-250-019	1	
5	Driving Ring	Steel	330-00-175-620	1	
6	Driving Ring Set Screws	1/4-20x1/4 Cup Point Set Screw	355-00-271-660	2	
7	RBS Bushing	Bronze	175-02-250-050	1	
		Carbon	2-126-008-880-03	1	
8	Rotor Bearing Sleeve (RBS)	Iron - Non-Jacketed - For Buna or Viton Seal	445-02-320-310	1	
		Iron - Jacketed - For Buna or Viton Seal	Consult Factory	1	
9	RBS and Bushing Ass'y	Iron / Bronze - Non-Jacketed - For Buna or Viton Seal	450-03-325-330	1	
		Iron / Carbon - Non Jacketed - For Buna or Viton Seal	450-03-325-332	1	
		Iron / Bronze - Jacketed - For Buna or Viton Seal	Consult Factory		
		Iron / Carbon - Jacketed - For Buna or Viton Seal	Consult Factory		
10	RBS Fasteners	5/8-11 Stud X 3 1/2" Long	355-00-461-620	6	
		5/8-11 Heavy Hex Nut	355-00-601-660	6	
11	Grease Fitting	1/8 NPT	325-00-025-605	2	
12	RBS Gasket	Standard	245-00-130-240	1	
13	Casing	Iron - Jacketed	190-02-915-310	1	
14	Rotor and Shaft Ass'y	Ductalloy / Steel	455-03-750-139	1	
15	Idler	Iron	2-423-200-100-70	1	
16	Idler Bushing	Bronze	2-129-008-454-05	1	
		Carbon	2-129-028-880-05	1	
17	Idler and Bushing ass'y	Iron / Bronze	285-03-360-330	1	
		Iron / Carbon	285-03-360-332	1	
18	Head Gasket	Standard	2-314-004-806-15	3	
19	Idler Pin	Steel - Greasable	295-00-250-690	1	
		Steel - Non-greasable	295-00-260-690	1	
20	Head	Iron - RV Style - Non-Jacketed	265-02-580-310	1	
		Iron - Plain Head - Jacketed	265-02-590-310	1	
20A	Blanking Plates (not shown)	Iron - To make RV Style Head a Plain Head	160-02-125-310	2	
21	Idler Pin Nut	1 1/2 X 6 Finished Hex Jam Nut	355-00-625-660	1	
22	Head and Idler Pin Ass'y	Iron - RV Style - Non-Jacketed / Steel - Greasable	270-03-585-350	1	
		Iron - RV Style - Non-Jacketed / Steel - Non-Greasable	270-03-580-350	1	
		Iron - Plain Head - Jacketed / Steel - Greasable	270-03-591-350	1	
		Iron - Plain Head - Non-Jacketed / Steel - Non-Greasable	270-03-590-350	1	
23	Head Bolts	5/8-11x2 1/2 T3/4 N1 1/8 Stud	355-00-458-620	8	
		5/8-11 Heavy Hex Nut	355-00-601-660	8	
24	Pipe Plug	1/4-18 Hex Head	390-00-125-605	1	

VICAN PUMP, A UNIT OF IDEX CORPORATION, 661 Grove Ave., Windsor, Ontario, N9A 6M3, Canada