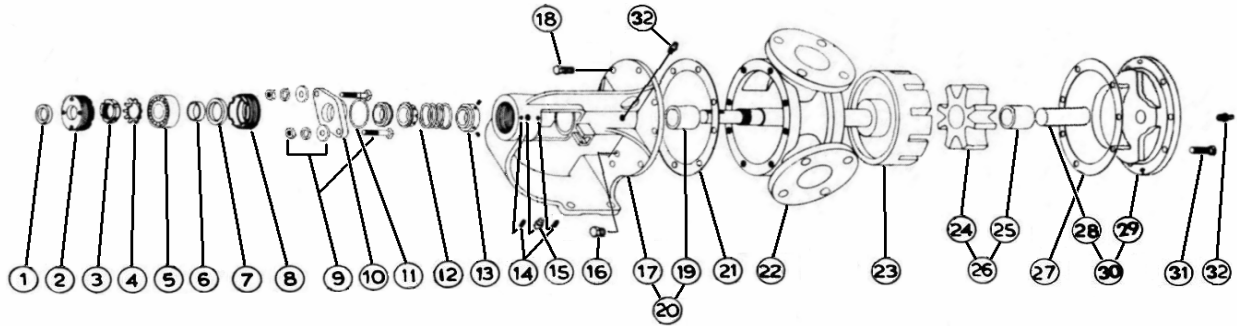


MODEL LQ-124 with Mechanical Seal

Subject to change without notice
 F.O.B. Factory

Supersedes all previous parts lists



ITEM	DESCRIPTION	MATERIAL	PART NUMBER	QTY	PRICE
1	Outer Lip Seal	Buna	195-00-175-120	1	
2	Adjusting Nut	Iron	100-02-100-310	1	
3	Locknut	Locknut N07	355-00-558-605	1	
4	Lockwasher	Lockwasher W07	355-00-550-605	1	
5	Ball bearing	Steel	150-00-250-605	1	
6	Bearing Spacer	Steel	490-00-100-605	1	
7	Inner Lip Seal	Buna	195-00-150-120	1	
8	Adjusting Nut	Iron	100-02-100-310	1	
9	Retainer Fasteners	3/8-16X2 1/2 Carriage Bolt 3/8" Flat Washer - Steel 3/8-16 Heavy Hex Nut	355-00-382-660 355-00-532-660 355-00-583-660	2 2 2	
10	Seal Seat Retainer	Iron Iron - Teflon Seal Only	470-02-212-310 470-02-312-310	1 1	
11	Retainer Oring	Buna	360-00-560-120	1	
12	Mechanical Seal Ass'y	Buna / Carbon vs Ni-Resist / Steel - BF871 Buna / Carbon vs Ceramic / SS - BF1C1 Viton / Carbon vs Ni-Resist / Steel - XP871 Viton / Carbon vs Ceramic / SS - XP1C1 Teflon / Carbon vs Ni-Resist / SS - QP171 Teflon / Carbon vs Ceramic / SS - QP1C1	335-00-180-045 335-00-180-040 335-00-210-055 335-00-180-050 335-00-180-204 335-00-180-203	1 1 1 1 1 1	
13	Driving Ring	Steel 1/4-20X1/4 Cup Point SS Screw	330-00-125-620 355-00-271-660	1 2	
12	Adjusting Nut Set Screw	1/4-28X5/16Cone Point SS Screw	355-00-280-660	2	
13	Grease Fitting	1/4-28 45 Deg. Grease Fitting	325-00-100-605	1	
16	Pipe Plug	1/8 NPT Hex Head Plug	390-00-050-605	1	
17	Bracket	Iron Iron - Teflon Seal Only	165-02-435-310 165-02-455-310	1 1	
18	Bracket Bolt	7/16-14X1 Hex Cap Screw GR5	355-00-085-670	8	
19	Bracket Bushing	Bronze Carbon	175-02-200-050 2-116-017-880-00	1 1	
20	Bracket and Bushing Ass'y	Iron / Bronze - Buna or Viton Seal Only Iron / Carbon - Buna or Viton Seal Only Iron / Bronze - Teflon Seal Only Iron / Carbon - Teflon Seal Only	170-03-435-329 170-03-435-332 170-03-440-329 170-03-440-332	1 1 1 1	
21	Bracket Gasket	Standard	245-00-060-240	1	
22	Casing	Iron	190-02-715-310	1	
23	Rotor and Shaft Ass'y	Iron / Steel Ductalloy / Steel	455-03-542-349 455-03-542-139	1 1	
24	Idler Gear	Iron	280-02-260-310	1	
25	Idler Bushing	Bronze Carbon	2-116-008-454-04 2-116-017-880-04	1 1	
26	Idler and Bushing Ass'y	Iron / Bronze Iron / Carbon	285-03-260-330 285-03-260-332	1 1	
27	Head Gasket	Standard	245-00-060-240	3	
28	Idler Pin	Steel - Greasable Steel - Non-Greasable	2-436-006-291-00 295-00-180-690	1 1	
29	Head	Plain Relief Valve	265-02-400-310 265-02-410-310	1 1	
30	Head and Idler Pin Ass'y	Plain / Steel Greasable Plain / Steel non-Greasable Relief Valve / Steel Greasable Relief Valve / Steel Non-Greasable	270-03-400-350 270-03-405-350 270-03-410-350 270-03-415-350	1 1 1 1	
31	Head Bolt	7/16-14X1 Hex Cap Screw GR5	355-00-085-670	7	
32	Grease Fitting	1/8NPT Straight w/cap Grease Fitting	325-00-050-605	2	