

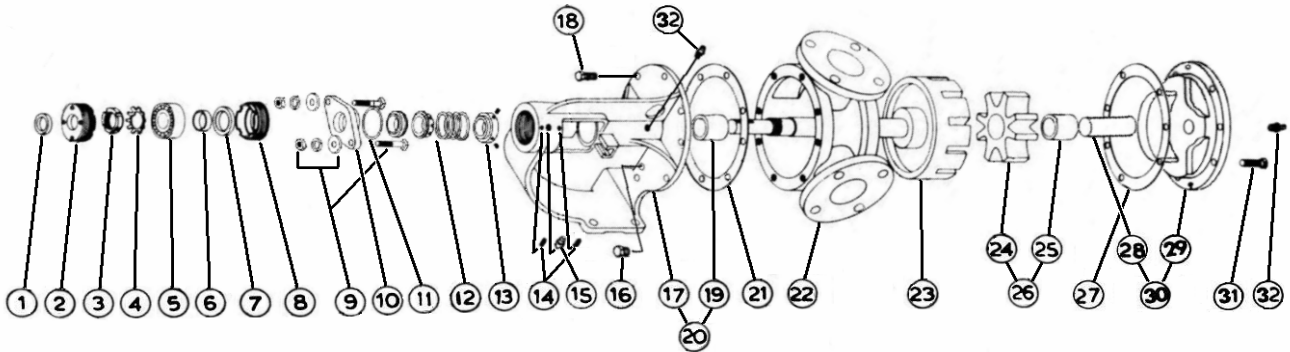
VICAN HEAVY DUTY UNMOUNTED PUMP

SECTION:	EVD-LM124S-C
PAGE:	1
EFFECTIVE:	B 25/10/2006

MODEL LM-124 with Mechanical Seal

Subject to change without notice  
F.O.B. Factory

Supersedes all previous parts lists



ITEM	DESCRIPTION	MATERIAL	PART NUMBER	QTY	PRICE
1	Outer Lip Seal	Buna	195-00-175-120	1	
2	Adjusting Nut	Iron	100-02-100-310	1	
3	Locknut	Locknut N07	355-00-558-605	1	
4	Lockwasher	Lockwasher W07	355-00-550-605	1	
5	Ball bearing	Steel	150-00-250-605	1	
6	Bearing Spacer	Steel	490-00-100-605	1	
7	Inner Lip Seal	Buna	195-00-150-120	1	
8	Adjusting Nut	Iron	100-02-100-310	1	
9	Retainer Fasteners	3/8-16X2 1/2 Carriage Bolt	355-00-382-660	2	
		3/8" Lockwasher	355-00-532-660	2	
		3/8-16 Heavy Hex Nut	355-00-583-660	2	
10	Seal Seat Retainer	Iron	470-02-212-310	1	
		Iron - Teflon Seal Only	470-02-312-310	1	
11	Retainer Oring	Buna - #229	360-00-560-120	1	
12	Mechanical Seal Ass'y	Buna / Carbon vs Ni-Resist / Steel - BF871	335-00-180-045	1	
		Buna / Carbon vs Ceramic / SS-BF1C1	335-00-180-040	1	
		Viton / Carbon vs Ni-Resist/Steel - XP871	335-00-210-055	1	
		Viton / Carbon vs Ceramic / SS - XP1C1	335-00-180-050	1	
		Teflon / Carbon vs Ni-Resist / SS-QP171	335-00-180-204	1	
		Teflon / Carbon vs Ceramic / SS-QP1C1	335-00-180-203	1	
13	Driving Ring	Steel	330-00-125-620	1	
		1/4-20X1/4 Cup Point SS Screw	355-00-271-660	2	
14	Adjusting Nut Set Screw	1/4-28X5/16 Cone Point SS Screw	355-00-280-660	2	
15	Grease Fitting	1/4-28 45 Deg. Grease Fitting	325-00-100-605	1	
16	Pipe Plug	1/8 NPT Hex Head Plug	390-00-050-605	1	
17	Bracket	Iron	165-02-435-310	1	
		Iron - Teflon Seal Only	165-02-455-310	1	
18	Bracket Bolt	7/16-14X1 Hex Cap Screw GR5	355-00-085-670	8	
19	Bracket Bushing	Carbon	2-116-017-880-00	1	
		Bronze	175-02-200-050	1	
20	Bracket and Bushing Ass'y	Iron / Bronze - Buna or Viton Seal Only	170-03-435-329	1	
		Iron / Carbon - Buna or Viton Seal Only	170-03-435-332	1	
		Iron / Bronze - Teflon Seal Only	170-03-440-329	1	
		Iron / Carbon - Teflon Seal Only	170-03-440-332	1	
21	Bracket Gasket	Standard	245-00-060-240	1	
22	Casing	Iron	190-02-860-310	1	
23	Rotor and Shaft Ass'y	Ductalloy / Steel	455-03-662-139	1	
24	Idler Gear	Ductile	280-02-300-210	1	
25	Idler Bushing	Bronze	2-121-014-454-04	1	
		Carbon	2-121-015-880-04	1	
26	Idler and Bushing Ass'y	Ductile / Bronze	285-03-300-120	1	
		Ductile / Carbon	285-03-300-122	1	
27	Head Gasket	Standard	245-00-060-240	3	
28	Idler Pin	Steel - Greasable	2-437-007-291-00	1	
		Steel - Non-Greasable	295-00-220-690	1	
29	Head	Relief Valve	265-02-520-310	1	
30	Head and Idler Pin Ass'y	Relief Valve / Steel Greasable	270-03-518-350	1	
		Relief Valve / Steel Non-Greasable	270-03-520-350	1	
31	Head Bolt	7/16-14X1 1/4 Hex Cap Screw G5	355-00-088-670	7	
32	Grease Fitting	1/8NPT Straight w/cap Grease Fitting	325-00-050-605	2	