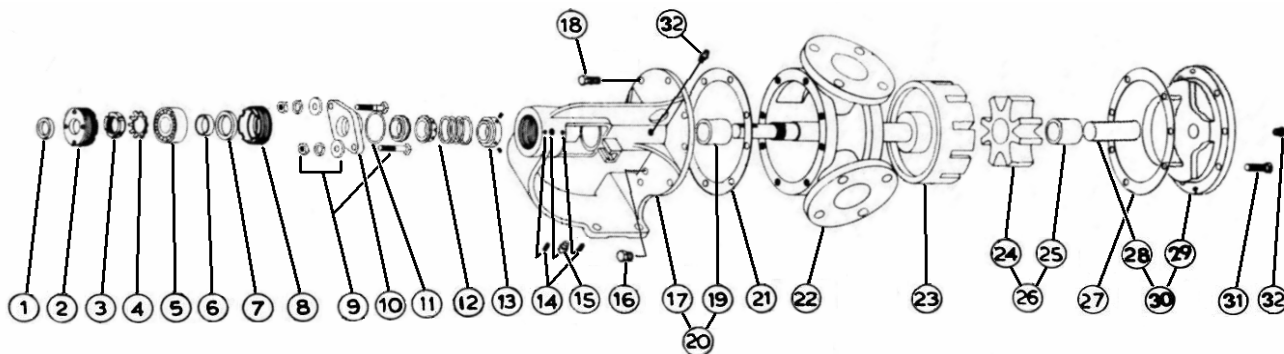


MODEL LL-124SD with Mechanical Seal

Subject to change without notice
 F.O.B. Factory

Supersedes all previous parts lists



| ITEM | DESCRIPTION | MATERIAL | PART NUMBER | QTY | PRICE |
|------|----------------------------|--------------------------------------|------------------|--------|-------|
| 1 | Outer Lip Seal | Buna | 195-00-175-120 | 1 | |
| 2 | Adjusting Nut | Iron | 100-02-100-310 | 1 | |
| 3 | Locknut | Steel - Locknut N07 | 355-00-558-605 | 1 | |
| 4 | Lockwasher | Lockwasher W07 | 355-00-550-605 | 1 | |
| 5 | Ball bearing | Steel | 150-00-250-605 | 1 | |
| 6 | Bearing Spacer | Steel | 490-00-100-605 | 1 | |
| 7 | Inner Lip Seal | Buna | 195-00-150-120 | 1 | |
| 8 | Adjusting Nut | Iron | 100-02-100-310 | 1 | |
| 9 | Retainer Fasteners | 3/8-16X2 1/2 Carriage Bolt | 355-00-382-660 | 2 | |
| | | 3/8" Lockwasher | 355-00-532-660 | 2 | |
| | | 3/8-16 Heavy Hex Nut | 355-00-583-660 | 2 | |
| 10 | Seal Seat Retainer | Iron - Std | 470-02-212-310 | 1 | |
| | | Iron - Teflon Seal Only | 470-02-312-310 | 1 | |
| 11 | Retainer Oring | Buna - #229 | 360-00-560-120 | 1 | |
| 12 | Mechanical Seal Ass'y | Dura Jit Seal 1.44 Viton K-LL4625 | 2-477-297-999-00 | 1 | |
| 13 | Driving Ring | Steel | 330-00-125-620 | 1 | |
| | | 1/4-20X1/4 Cup Point SS Screw | 355-00-271-660 | 2 | |
| 12 | Adjusting Nut Set Screw | 1/4-28X5/16Cone Point SS Screw | 355-00-280-660 | 2 | |
| 13 | Grease Fitting | 1/4-28 45 Deg. Grease Fitting | 325-00-100-605 | 1 | |
| 16 | Pipe Plug | 1/8 NPT Hex Head Plug | 390-00-050-605 | 1 | |
| 17 | Bracket | Iron | 165-02-595-310 | 1 | |
| 18 | Bracket Bolt | 7/16-14X1 Hex Cap Screw GR5 | 355-00-085-670 | 8 | |
| 19 | Bracket Bushing | Bronze | 175-02-160-050 | 1 | |
| | | Carbon | 175-02-205-140 | 1 | |
| 20 | Bracket and Bushing Ass'y | Iron / Bronze | Consult Factory | 1 | |
| | | Iron / Carbon | Consult Factory | 1 | |
| 21 | Bracket Gasket | Standard | 245-00-060-240 | 1 | |
| 22 | Casing | Iron | 190-02-860-310 | 1 | |
| 23 | Rotor and Shaft Ass'y | Ductalloy / Steel | 455-03-640-139 | 1 | |
| 24 | Idler Gear | Iron | 280-02-280-310 | 1 | |
| 25 | Idler Bushing | Tungsten | 2-116-052-765-04 | 1 | |
| 26 | Idler and Bushing Ass'y | Iron / Tungsten | 285-03-280-357 | 1 | |
| 27 | Head Gasket | Standard .015 | 245-00-060-240 | 3 | |
| 28 | Idler Pin | Tungsten | 2-436-005-765-00 | 1 | |
| 29 | Head | Plain | 265-02-460-310 | 1 | |
| | | Relief Valve | 265-02-470-310 | 1 | |
| 30 | Head and Idler Pin Ass'y | Plain Head - CI/Tung - Solid | 270-03-465-357 | 1 | |
| | | Relief Valve Head - CI/Tung - Solid | 270-03-475-357 | 1 | |
| 31 | Head Bolt | 7/16-14X1 Hex Cap Screw GR5 | 355-00-085-670 | 7 | |
| 32 | Grease Fitting | 1/8NPT Straight w/cap Grease Fitting | 325-00-050-605 | 2 | |
| * | Grease Fitting (NOT SHOWN) | 1/8" 15-25 PSI Grease Rel Fitting | 325-00-125-605 | 1 | |
| * | Male EL Tube (NOT SHOWN) | 1/4NPTX3/8 TubeX90 Deg Male EL | 385-00-200-030 | 1 | |
| * | Male Connector (NOT SHOWN) | 1/4NPTX38 Tube Male Connector | 385-00-220-030 | 1 | |
| * | Tubing (NOT SHOWN) | 3/8" Tubing Copper | 385-00-290-191 | 12 in. | |
| * | Lip Seals (NOT SHOWN) | K-LL 124SD Lip Seals 94X6211 | 195-00-275-120 | 1 | |