

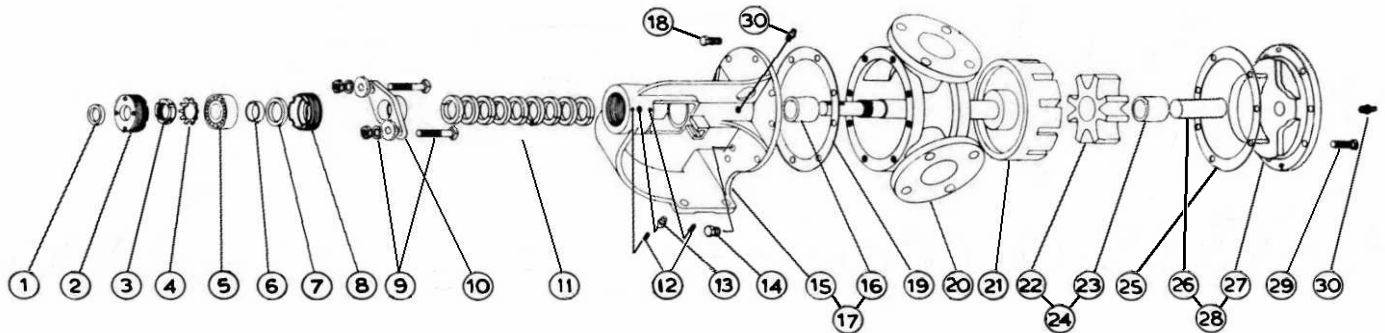
VICAN HEAVY DUTY UNMOUNTED PUMP

SECTION:	EVD-L124P-C
PAGE:	1
EFFECTIVE:	A 25/08/2004

MODEL L-124 with Packing

Subject to change without notice
F.O.B. Factory

Supersedes all previous parts lists



ITEM	DESCRIPTION	MATERIAL	PART NUMBER	QTY	PRICE
1	Outer Lip Seal	Buna	195-00-175-120	1	
2	Adjusting Nut	Iron	100-02-100-310	1	
3	Locknut	Locknut N07	355-00-558-605	1	
4	Lockwasher	Lockwasher W07	355-00-550-605	1	
5	Ball bearing	Steel	150-00-250-605	1	
6	Bearing Spacer	Steel	490-00-100-605	1	
7	Inner Lip Seal	Buna	195-00-150-120	1	
8	Adjusting Nut	Iron	100-02-100-310	1	
9	Packing Gland Fasteners	3/8-16X3 Carriage Bolt Full Thrd Pl	355-00-384-660	2	
		3/8" Flat Washer - Steel	355-00-496-660	2	
		3/8" Lockwasher - Steel	355-00-532-660	2	
		3/8-16 Heavy Hex Nut	355-00-583-660	2	
10	Packing Gland	Iron - One Piece	370-02-090-310	1	
		Iron - Split	3-524-008-48N-00	1	
11	Packing Set	Standard - Up to 500 F - C1065	365-00-650-780	1	
		Food Grade - Not Certified - C1045	365-00-650-750	1	
		High Temperature - Up to 800 F - 1625GF	365-00-650-280	1	
12	Adjusting Nut Set Screw	1/4-28X5/16Cone Point SS Screw	355-00-280-660	2	
13	Grease Fitting	1/4-28 45 Deg. Grease Fitting	325-00-100-605	1	
14	Pipe Plug	Steel - 1/4-18 Hex Head Plug	390-00-125-605	3	
15	Bracket	Iron	165-02-420-310	1	
16	Bracket Bushing	Bronze	175-02-200-050	1	
		Carbon	2-116-017-880-00	1	
17	Bracket and Bushing Ass'y	Iron / Bronze	170-03-420-329	1	
		Iron / Carbon	170-03-420-332	1	
18	Bracket Bolt	7/16-14X1 Hex Cap Screw GR5	355-00-085-670	8	
19	Bracket Gasket	Standard	245-00-060-240	1	
20	Casing	Iron	190-02-665-310	1	
21	Rotor and Shaft Ass'y	Iron / Steel	455-03-542-349	1	
		Ductalloy / Iron	455-03-542-139	1	
22	Idler Gear	Iron	280-02-260-310	1	
23	Idler Bushing	Bronze	2-116-008-454-04	1	
		Carbon	2-116-017-880-04	1	
24	Idler and Bushing Ass'y	Iron / Bronze	285-03-260-330	1	
		Iron / Carbon	285-03-260-332	1	
25	Head Gasket	Standard	245-00-060-240	3	
26	Idler Pin	Steel - Greasable	2-436-006-291-00	1	
		Steel - Non-Greasable	295-00-180-690	1	
27	Head	Iron - Plain	265-02-400-310	1	
		Iron - Relief Valve	265-02-410-310	1	
28	Head and Idler Pin Ass'y	Plain / Steel Greasable	270-03-400-350	1	
		Plain / Steel non-Greasable	270-03-405-350	1	
		Relief Valve / Steel Greasable	270-03-410-350	1	
		Relief Valve / Steel Non-Greasable	270-03-415-350	1	
29	Head Bolts	7/16-14X1 Hex Cap Screw GR5	355-00-085-670	7	
30	Grease Fitting	1/8NPT Straight w/cap Grease Fitting	325-00-050-605	2	