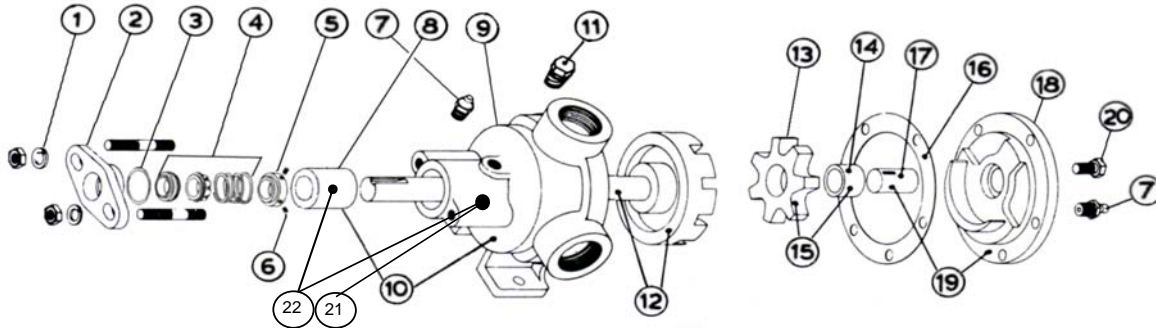


MODEL KK-230 with Mechanical Seal

Subject to change without notice
F.O.B. Factory

Supercedes all previous parts lists



ITEM	DESCRIPTION	MATERIAL	PART NUMBER	QTY
1	Seal Seat Retainer Fasteners	3/8-16x1 1/4 Hex Cap Screw Grade 5	355-00-068-670	2
		3/8 Lockwasher	355-00-532-660	2
2	Seal Seat Retainer	Steel	470-02-472-310	1
3	Seal Seat Retainer Oring	#229 Buna	360-00-560-120	1
4	Mechanical Seal Ass'y	Buna / Carbon vs Ni-Resist / Stl - BF871	335-00-195-045	1
		Buna / Carbon vs Ceramic / SS - BF1C1	335-00-150-040	1
		Viton / Carbon vs Ni-Resist / Stl - XP871	335-00-150-055	1
		Viton / Carbon vs Ceramic / SS - XP1C1	335-00-150-050	1
5	Driving Ring	Steel	330-00-100-620	1
6	Set Screws	1/4-20x1/4 Cup Point Socket Set Screw	355-00-271-660	2
7	Grease Fitting	Steel	325-00-025-605	2
8	Casing Bushing	Bronze	175-02-130-050	1
		Carbon	175-02-130-140	1
9	Casing	Iron - Jacketed - For Non-Jacketed RBS - For Buna or Viton Seal	190-02-570-310	1
		Iron - Jacketed - For Jacketed RBS - For Buna or Viton Seal	Consult Factory	1
10	Casing and Bushing Ass'y	Iron - Jacketed / Bronze - For Non-Jacketed RBS - For Buna or Viton Seal	Consult Factory	1
		Iron - Jacketed / Carbon - For Non-Jacketed RBS - For Buna or Viton Seal	Consult Factory	1
		Iron - Jacketed / Bronze - For Jacketed RBS - For Buna or Viton Seal	Consult Factory	1
		Iron - Jacketed / Carbon - For Jacketed RBS - For Buna or Viton Seal	Consult Factory	1
11	Pipe Plug	1/4-18 Hex Head	390-00-125-605	1
12	Rotor and Shaft Ass'y	Iron / Steel	455-03-470-349	1
		Ductalloy / Steel	455-03-470-139	1
13	Idler	Iron	280-02-230-310	1
14	Idler Bushing	Bronze	2-108-009-454-04	1
		Carbon	2-108-015-880-04	1
15	Idler and Bushing ass'y	Iron / Bronze	285-03-230-330	1
		Iron / Carbon	285-03-230-332	1
16	Head Gasket	Standard	245-00-050-240	3
17	Idler Pin	Steel - Greasable	2-435-012-291-00	1
		Steel Non-greasable	295-00-160-690	1
18	Head	Iron - Non-Jacketed - Plain Head	265-02-330-310	1
		Iron - Jacketed - Plain Head	265-02-360-310	1
		Iron - Non-Jacketed - Relief Valve Style	265-02-340-310	1
19	Head and Idler Pin Ass'y	Iron - Non-Jacketed - Plain / Steel - Greasable	270-03-330-350	1
		Iron - Non-Jacketed - Relief Valve Style / Steel - Greasable	270-03-340-350	1
		Iron - Plain / Steel - Non-greasable	270-03-335-350	1
		Iron - Relief Valve / Steel - Non-greasable	270-03-345-350	1
		Iron - Jacketed - Plain / Steel - Greasable	270-03-360-350	1
		Iron - Jacketed - Plain / Steel - Non-greasable	270-03-365-350	1
20	Head Bolts	Plain Head 7/16-14x7/8 Hex Cap Screw Grade 5	355-00-082-670	6
	Relief Valve Head	7/16-14x1 Hex Cap Screw Grade 5	355-00-085-670	4
		7/16-14x7/8 Socket Head Cap Screw	355-00-234-660	2
21	Jacketed Rotor Bearing Sleeve	Iron	445-02-005-310	1
22	Jacketed Rotor Bearing Sleeve and Bushing Ass'y	Iron / Bronze	450-03-010-330	1
		Iron / Carbon	450-03-010-332	1

