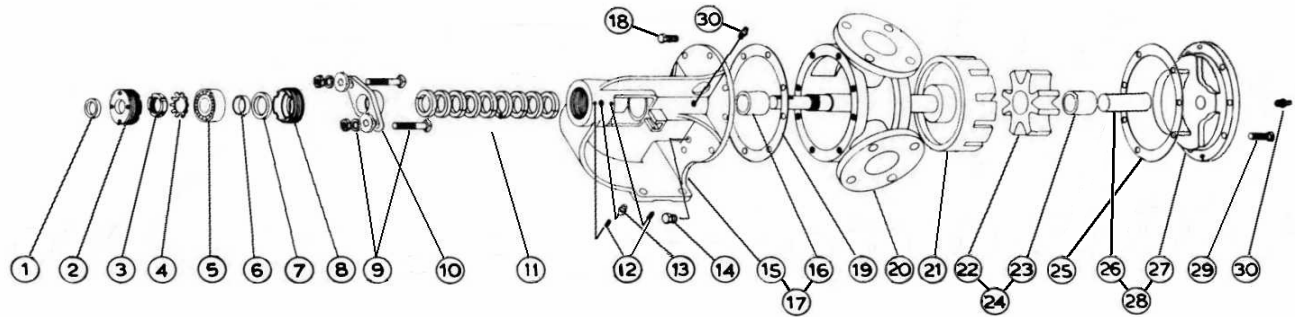


**MODEL KK-124 with Packing**

Subject to change without notice  
 F.O.B. Factory

Supersedes all previous parts lists



ITEM	DESCRIPTION	MATERIAL	PART NUMBER	QTY	PRICE	
1	Outer Lip Seal	Buna	195-00-175-120	1		
2	Adjusting Nut	Iron	100-02-100-310	1		
3	Locknut	Locknut N07	355-00-558-605	1		
4	Lockwasher	Lockwasher W07	355-00-550-605	1		
5	Ball bearing	Steel	150-00-250-605	1		
6	Bearing Spacer	Steel	490-00-100-605	1		
7	Inner Lip Seal	Buna	195-00-150-120	1		
8	Adjusting Nut	Iron	100-02-100-310	1		
9	Packing Gland Fasteners	3/8-16X3 Carriage Bolt Full Thrd PI Flat Washer - Steel 3/8"Lockwasher - Steel 3/8-16 Heavy Hex Nut - Steel	355-00-384-660 355-00-496-660 355-00-532-660 355-00-583-660	2 2 2 2		
10	Packing Gland	Iron - One Piece Iron - Split	370-02-090-310 3-524-008-48N-00	1 1		
11	Packing Set	Standard - Up to 500 F - C1065 Food Grade - Not Certified - C1045 High Temperature - Up to 800 F - 1625GF	365-00-400-780 365-00-400-750 365-00-400-280	1 1 1		
12	Adjusting Nut Set Screw	1/4-28X5/16Cone Point SS Screw	355-00-280-660	2		
13	Grease Fitting	1/4-28 45 Deg. Grease Fitting	325-00-100-605	1		
14	Pipe Plug	Steel - 1/4-18 Hex Head Plug	390-00-125-605	3		
15	Bracket	Iron	165-02-085-310	1		
16	Bracket Bushing	Bronze Carbon	175-02-140-050 175-02-140-140	1 1		
17	Bracket and Bushing Ass'y	Iron / Bronze Iron / Carbon	170-03-085-329 170-03-085-332	1 1		
18	Casing Bolt	7/16-14X7/8 Hex Cap Screw GR5	355-00-082-670	8		
19	Bracket Gasket	Standard	245-00-050-240	1		
20	Casing	Iron	190-02-535-310	1		
21	Rotor and Shaft Ass'y	Iron / Steel Ductalloy / Iron	455-03-472-349 455-03-472-139	1 1		
22	Idler Gear	Iron	280-02-230-310	1		
23	Idler Bushing	Bronze Carbon	2-108-009-454-04 2-108-015-880-04	1 1		
24	Idler and Bushing Ass'y	Iron / Bronze Iron / Carbon	285-03-230-330 285-03-230-332	1 1		
25	Head Gasket	Standard	245-00-050-240	3		
26	Idler Pin	Steel - Greasable Steel - Non-Greasable Nitalloy - Greasable Nitalloy - Non-Greasable	2-435-012-291-00 295-00-160-690 2-435-012-321-00 295-00-160-400	1 1 1 1		
27	Head	Iron - Plain Iron - Relief Valve	265-02-330-310 265-02-340-310	1 1		
28	Head and Idler Pin Ass'y	Plain / Steel Greasable Plain / Steel non-Greasable Relief Valve / Steel Greasable Relief Valve / Steel Non-Greasable	270-03-330-350 270-03-335-350 270-03-340-350 270-03-345-350	1 1 1 1		
29	Head Bolts	Plain Head Relief Valve	7/16-14X7/8 Hex Cap Screw GR5 7/16-14X1 Hex Cap Screw GR5 7/16-14X7/8 Socket Cap Screw	355-00-082-670 355-00-085-670 355-00-234-660	6 4 2	
30	Grease Fitting	1/8NPT Straight w/cap Grease Fitting	325-00-050-605	2		