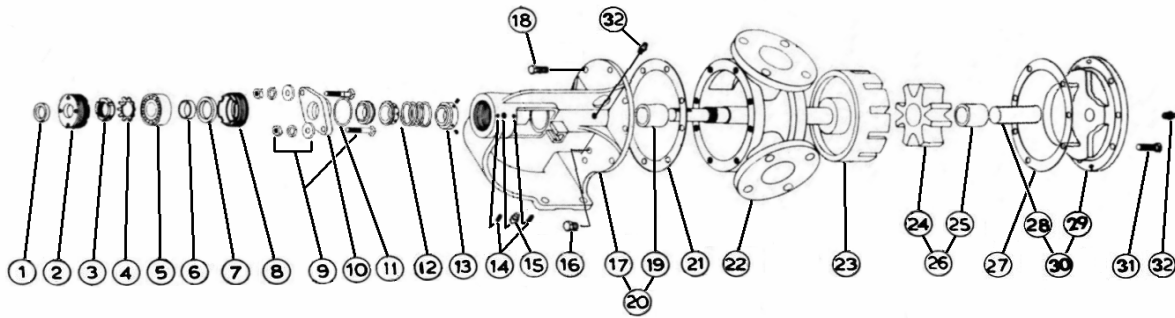


MODEL J-124 with Mechanical SealSubject to change without notice
F.O.B. Factory

Supercedes all previous parts lists



ITEM	DESCRIPTION	MATERIAL	PART NUMBER	QTY	PRICE
1	Outer Lip Seal	Buna	195-00-175-120	1	
2	Adjusting Nut	Iron	100-02-100-310	1	
3	Locknut	Locknut N07	355-00-558-605	1	
4	Lockwasher	Lockwasher W07	355-00-550-605	1	
5	Ball bearing	Steel	150-00-250-605	1	
6	Bearing Spacer	Steel	490-00-100-605	1	
7	Inner Lip Seal	Buna	195-00-150-120	1	
8	Adjusting Nut	Iron	100-02-100-310	1	
9	Retainer Fasteners	3/8-16X2 1/2 Carriage Bolt	355-00-382-660	2	
		3/8" Lockwasher - Steel	355-00-532-660	2	
		3/8-16 Heavy Hex Nut - Steel	355-00-583-660	2	
10	Seal Seat Retainer	Iron	470-02-212-310	1	
		Iron - Teflon Seal Only	470-02-312-310	1	
11	Retainer Oring	Buna	360-00-560-120	1	
12	Mechanical Seal Ass'y	Buna / Carbon vs Ni-Resist / Steel	335-00-180-045	1	
		Buna / Carbon vs Ceramic / SS	335-00-180-040	1	
		Viton / Carbon vs Ni-Resist / Steel	335-00-210-055	1	
		Viton / Carbon vs Ceramic / SS	335-00-180-050	1	
		Teflon / Carbon vs Ni-Resist / SS	335-00-180-204	1	
		Teflon / Carbon vs Ceramic / SS	335-00-180-203	1	
13	Driving Ring	Steel	330-00-125-620	1	
		Set Screws for Driving Ring	355-00-271-660	2	
14	Adjusting Nut Set Screw	1/4-28X5/16Cone Point SS Screw	355-00-280-660	2	
15	Grease Fitting	1/4-28 45 Deg Grease Fitting	325-00-100-605	1	
16	Pipe Plug	Steel	390-00-050-605	1	
17	Bracket	Iron	165-02-095-310	1	
		Iron - Teflon Seal Only	165-02-125-310	1	
18	Bracket Bolt	7/16-14X7/8 Hex Cap Screw GR5	355-00-082-670	8	
19	Bracket Bushing	Bronze	175-02-140-050	1	
		Carbon	175-02-140-140	1	
20	Bracket and Bushing Ass'y	Iron / Bronze - Buna or Viton Seal Only	170-03-095-329	1	
		Iron / Carbon - Buna or Viton Seal Only	170-03-095-332	1	
		Iron / Bronze - Teflon Seal Only	170-03-090-330	1	
		Iron / Carbon - Teflon Seal Only	170-03-090-332	1	
21	Bracket Gasket	Standard	245-00-050-240	1	
22	Casing	Iron	190-02-385-310	1	
23	Rotor and Shaft Ass'y	Iron / Steel	455-03-364-349	1	
		Ductalloy / Steel	455-03-364-139	1	
24	Idler Gear	Iron	280-02-180-310	1	
25	Idler Bushing	Bronze	2-108-030-454-02	1	
		Carbon	2-108-016-880-02	1	
26	Idler and Bushing Ass'y	Iron / Bronze	285-03-180-330	1	
		Iron / Carbon	285-03-180-332	1	
27	Head Gasket	Standard	245-00-050-240	3	
28	Idler Pin	Steel - Greasable	295-00-090-690	1	
		Steel - Non-Greasable	295-00-100-690	1	
		Nitralloy - Greasable	295-00-090-400	1	
		Nitralloy - Non-Greasable	295-00-100-400	1	
29	Head	Plain	265-02-210-310	1	
		Relief Valve	265-02-220-310	1	
30	Head and Idler Pin Ass'y	Plain / Steel Greasable	270-03-210-350	1	
		Plain / Steel non-Greasable	270-03-215-350	1	
		Relief Valve / Steel Greasable	270-03-225-350	1	
		Relief Valve / Steel Non-Greasable	270-03-220-350	1	
31	Head Bolt	7/16-14X7/8 Hex Cap Screw GR5	355-00-082-670	6	
		7/16-14X1 Hex Cap Screw GR5	355-00-085-670	4	
		7/16-14X7/8 Socket Cap Screw	355-00-234-660	2	
32	Grease Fitting	1/8NPT Straight w/cap Grease Fitting	325-00-050-605	2	