

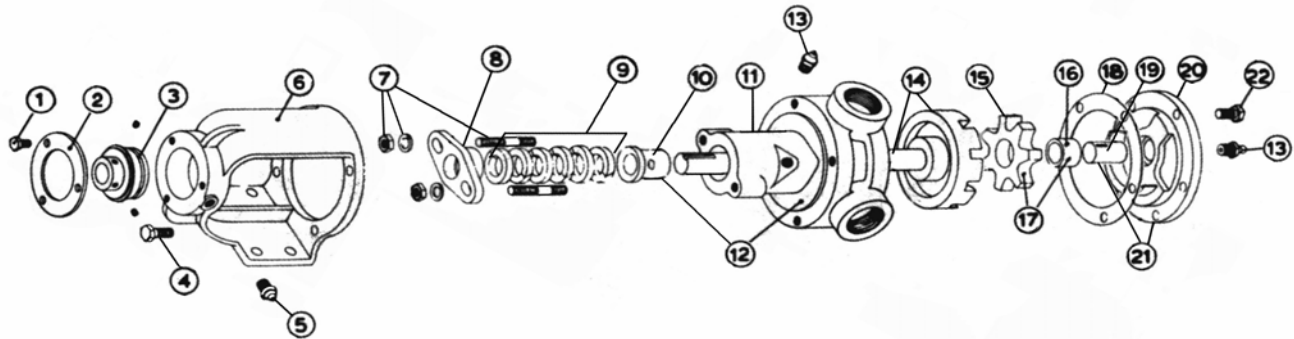
VICAN GENERAL PURPOSE UNMOUNTED PUMP

BULLETIN: EVD-G115P-C
 PAGE: 1
 VERSION: A 25-AUG-04

MODEL G-115 and GX2-115 with Packing

Subject to change without notice
 F.O.B. Factory

Supersedes all previous parts lists



ITEM	DESCRIPTION	MATERIAL	PART NUMBER	QTY	PRICE
1	Bearing Retainer Bolts	1/4-28X1/2 HEX CAP SCREW GR5	355-00-012-670	4	
2	Bearing Retainer	Alluminum	145-02-050-010	1	
3	Ball Bearing	Steel	150-00-050-605	1	
4	Bracket Bolt	1/4-20X3/4 HEX CAP SCREW GR5	355-00-015-670	4	
5	Grease Fitting	1/8 NPT STR GRS FTNG 1634-B	325-00-025-605	1	
6	Bracket	Iron	165-02-005-310	1	
7	Packing Gland Fasteners	5/16-18X2 T 1/2 N 1 STUD	355-00-414-620	2	
		Flat Washer - Steel	355-00-493-660	2	
		Lock Washer - Steel	355-00-529-660	2	
		Nut - Steel	355-00-575-660	2	
8	Packing Gland	Iron	370-02-010-310	1	
9	Packing Set	Standard - Up To 500 Deg F - C1065	365-00-100-780	1	
		Food Grade - Not Certified - C1045	365-00-100-750	1	
		High Temperature - 1625GF	365-00-100-280	1	
10	Casing Bushing	Bronze	175-02-040-050	1	
		Carbon	175-02-040-140	1	
11	Casing - G-115 3/4" NPT 90° Ports	Iron	190-02-145-310	1	
	Casing - GX2-115 1" NPT 180° Ports	Iron	190-02-145-310	1	
12	Casing and Bushing Ass'y - G-115	Iron / Bronze	185-03-110-330	1	
		Iron / Carbon	185-03-110-332	1	
	Casing and Bushing Ass'y - GX2-115	Iron / Bronze	185-03-145-330	1	
		Iron / Carbon	185-03-145-332	1	
13	Grease Fitting	1/4-28 STRAIGHT GREASE FITTING	325-00-075-605	1	
14	Rotor and Shaft Ass'y	Ductalloy / Steel	455-03-014-139	1	
15	Idler	Iron	2-417-001-353-40	1	
16	Idler Bushing	Bronze	175-02-030-050	1	
		Carbon	2-091-003-880-02	1	
17	Idler and Bushing ass'y	Iron / Bronze	285-03-040-330	1	
		Iron / Carbon	285-03-040-332	1	
18	Head Gasket	Iron	245-00-036-240	2	
19	Idler Pin	Steel - Solid	295-00-030-690	1	
20	Head	Iron - Plain	265-02-010-310	1	
		Iron - Relief Valve	2-366-002-100-00	1	
21	Head and Idler Pin Ass'y	Iron - Plain / Steel - Solid	270-03-010-350	1	
		Iron - Relief Valve / Steel - Solid	270-03-020-350	1	
22	Head Bolts	Steel - Plain Head	355-00-015-670	6	
		Steel - Relief Valve Head	355-00-205-660	6	