

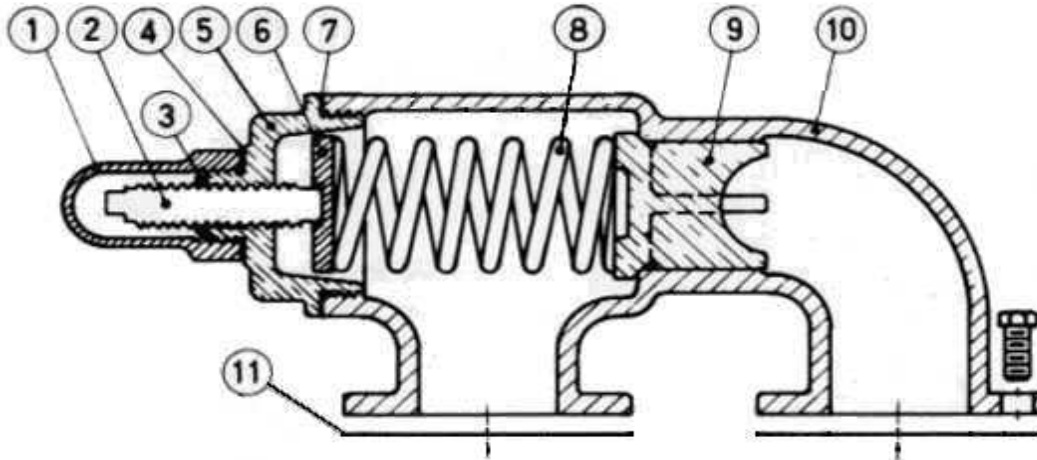
MODEL "C" Relief Valve

For Pump Models: Q-332, M-332, N-332, Q-260, M-260, N-260, Q-230, M-260, N-260

Relief Valve Assembly Part Numbers		
Range	Standard Relief Valve	Jacketed Relief Valve
5-29 PSI	425-03-410-310	425-03-460-310
30-69 PSI	425-03-400-310	425-03-450-310
70-200 PSI	425-03-420-310	425-03-470-310

Subject to change without notice
F.O.B. Factory

Supercedes all previous parts lists



ITEM	DESCRIPTION	MATERIAL	PART NUMBER	QTY	PRICE
1	Bonnet	Iron	405-02-400-310	1	
2	Adjusting Screw	Steel	399-02-250-605	1	
3	Adjusting Nut	Steel	398-02-250-605	1	
4	Bonnet Gasket	Standard	360-00-440-120	1	
5	Cap	Iron	410-02-400-310	1	
6	Retainer Disc	Steel	420-02-300-610	1	
7	Cap Gasket	Standard	245-00-310-240	1	
8	Spring	Steel (Pink) 5-29 PSI Range	495-00-350-725	1	
		Steel (Orange) 30-69 PSI Range	495-00-400-725	1	
		Steel (Green) 70-200 PSI Range	495-00-450-725	1	
9	Poppet	Iron	415-02-600-310	1	
10	Relief Valve Body	Iron - Standard RV	400-02-450-310	1	
		Iron - Jacketed RV	400-02-500-310	1	
11	Port Gasket	Standard .015	245-00-240-240	2	