

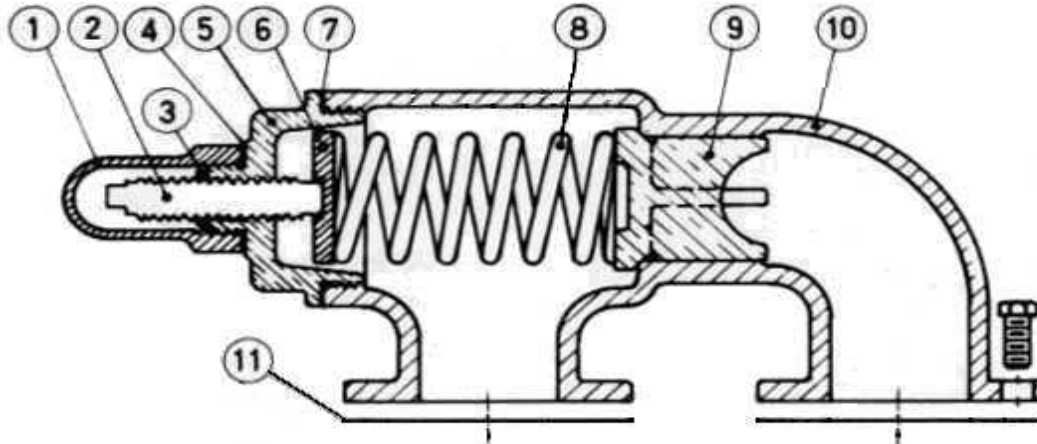
MODEL "B" Relief Valve

For Pump Models AS-190, AK-190, J-124, K-124, KK-124, L-124, LQ-124, LL-124, LM-124, KK-230, LQ-230

Relief Valve Assembly Part Numbers*				
Range	Standard Relief Valve	Return-To-Tank-Relief Valve	Jacketed Relief Valve	All Iron (No Bronze)
15-60 PSI	425-03-310-310	425-03-360-310	425-03-385-310	425-03-315-310
61-150 PSI	425-03-300-310	425-03-350-310	425-03-380-310	425-03-305-310
151-250 PSI	425-03-320-310	425-03-370-310	425-03-390-310	425-03-325-310

Subject to change without notice
 F.O.B. Factory

Supersedes all previous parts lists



ITEM	DESCRIPTION	MATERIAL	PART NUMBER	QTY	PRICE
1	Bonnet	Iron	405-02-400-310	1	
2	Adjusting Screw	Steel	399-02-250-605	1	
3	Adjusting Nut	Steel	398-02-250-605	1	
4	Bonnet Gasket	Standard	360-00-440-120	1	
5	Cap	Iron	410-02-300-310	1	
6	Retainer Disc	Steel	420-02-300-610	1	
7	Cap Gasket	Standard	245-00-300-240	1	
8	Spring	Steel (Pink) 15-59 PSI Range	495-00-350-725	1	
		Steel (Orange) 60-129 PSI Range	495-00-400-725	1	
		Steel (Green) 130-250 PSI Range	495-00-450-725	1	
9	Poppet	Bronze	415-02-400-110	1	
		Ductile Iron	415-02-400-210	1	
10	Relief Valve Body	Iron - Standard RV	400-02-250-310	1	
		Iron - RTT RV	400-02-300-310	1	
		Iron - Jacketed RV	400-02-350-310	1	
11	Port Gasket	Standard .015	245-00-230-240	2	

*Models with Bronze Poppet

- 425-03-310-310
- 425-03-300-310
- 425-03-320-310
- 425-03-350-310
- 425-03-385-310
- 425-03-380-310
- 425-03-390-310

*Models with Ductile Iron Poppet

- 425-03-360-310
- 425-03-370-310
- 425-03-315-310
- 425-03-305-310
- 425-03-325-310