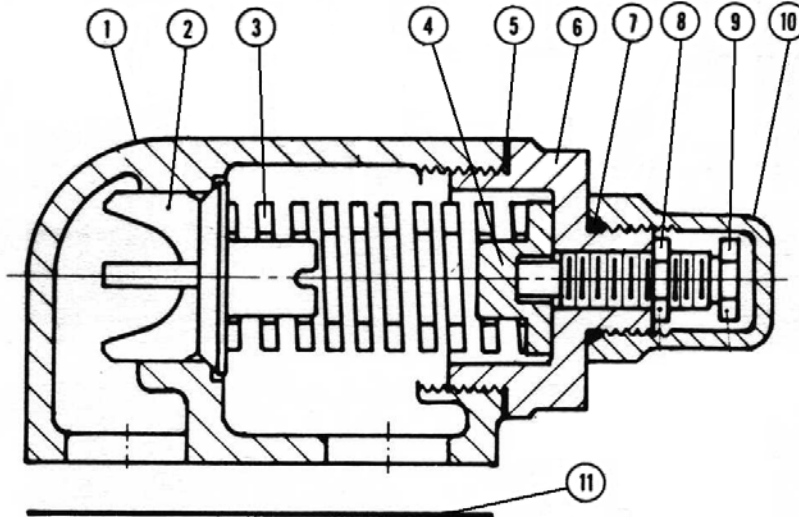


MODEL "A" Relief Valve**For Pump Models H-115, HX4-115, HJ-190, HL-190, HX4-230**

Relief Valve Assembly Part Numbers - Standard w/Bronze Poppet*		
Range	Standard Relief Valve	Return-To-Tank-Relief Valve
15-60 PSI	425-03-210-310	425-03-260-310
61-150 PSI	425-03-200-310	425-03-250-310
151-250 PSI	425-03-220-310	425-03-270-310

Subject to change without notice
F.O.B. Factory

Supercedes all previous parts lists



ITEM	DESCRIPTION	MATERIAL	PART NUMBER	QTY	PRICE
1	Relief Valve Body	Iron - Standard RV	400-02-150-310	1	
		Iron - RTT RV	400-02-200-310	1	
2	Poppet	Bronze (Standard)	415-02-300-110	1	
		Ductile Iron (Optional as No Bronze RV)	415-02-300-210	1	
3	Spring	Steel (Black) 15-60 PSI Range	495-00-200-725	1	
		Steel (Yellow) 61-150 PSI Range	495-00-250-725	1	
		Steel (Gold) 151-200 PSI Range	495-00-300-725	1	
4	Retainer Disc	Steel	420-02-200-610	1	
5	Cap Gasket	Standard .015	245-00-290-240	2	
6	Cap	Iron	410-02-200-310	1	
7	Bonnet Gasket	Standard #116	360-00-420-120	1	
8	Adjusting Nut	Steel	398-02-150-605	1	
9	Adjusting Screw	Steel	399-02-150-605	1	
10	Bonnet	Steel	405-02-300-310	1	
11	Port Gasket	Standard .031	245-00-220-240	1	
Not Illus.	Grease Fitting	1634-B (For pumps with Greaseable Idler Pin)	425-03-210-310	1	
Not Illus.	Plug	1/4" Steel (For pumps with Non-Greaseable Idler Pins)	425-03-270-310	1	

*Standard RV w/Ductile Poppet (No Bronze) - 425-03-215-310 for 15-60 PSI; 425-03-205-310 for 61-150 PSI; Consult Factory for part numbers for 151-250 PSI Range Standard RV and all ranges of Return-To-Tank Relief Valves