

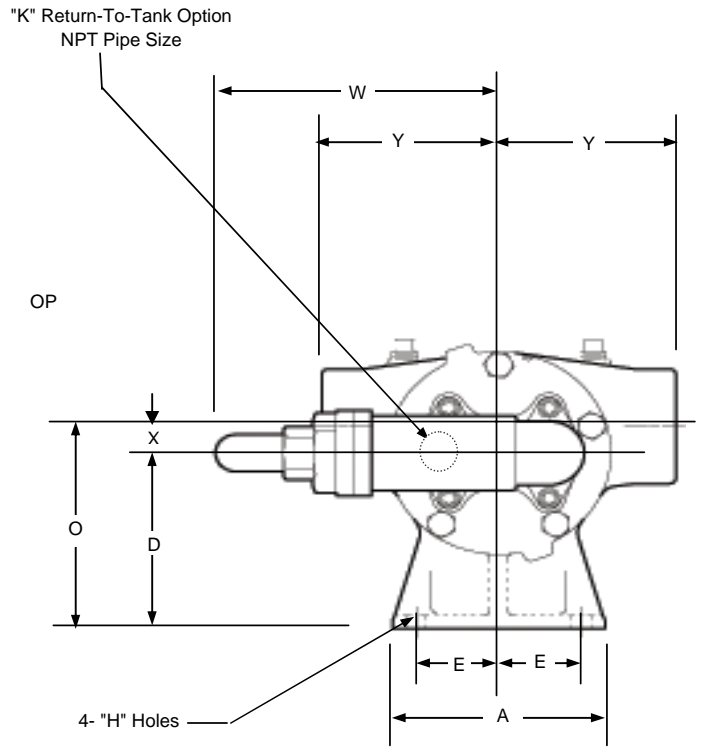
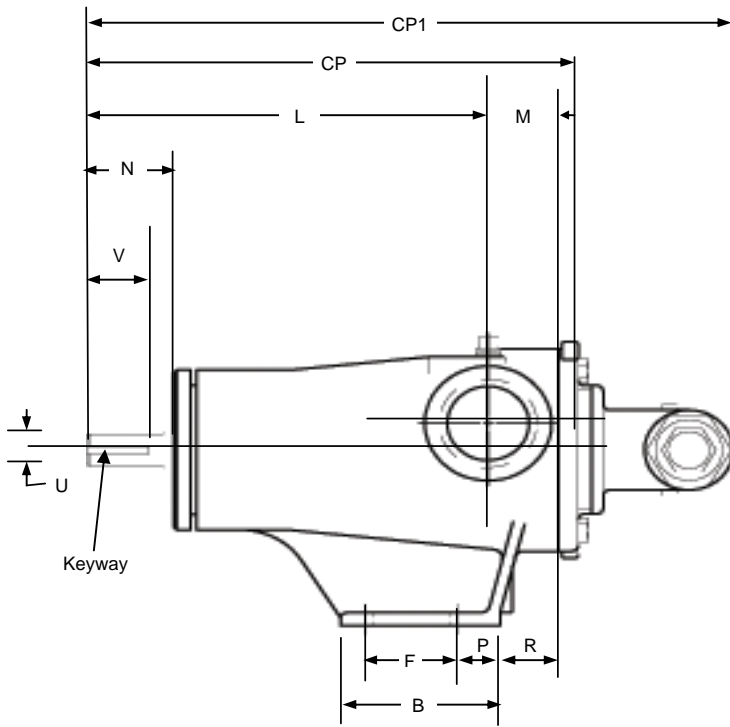
# VICAN PUMP - DIMENSIONAL DRAWING

**Pump Series: 190**  
**Models: GG-190, HJ-190, HL-190**

BULLETIN: DD-G-H190-C

Page: 1

Effective: A. 09/09/2004



Model Number	Port Size	DM	A	B	CP	CP1	D	E	F	G	H	K	L	M	N	O	P	R	U	V	W	X	Y	Keyway	Approx Ship. Wt.
GG	1" NPT	in	4.0	2.25	7.9	10.06	2.75	1.62	1.3	0.25	0.34	1/2"	6.25	1.12	1.12	3.38	0.62	0.06	0.500	0.94	3.5	0.62	2.75	FLAT	16 LBS
		mm	102	57	200	256	70	41	33	6	9		159	29	29	86	16	2	13	24	89	16	70	FLAT	7 Kg
HJ	1-1/2" NPT	in	4.5	3.38	10.62	13.69	4.12	1.75	2.0	0.31	0.41	3/4"	8.50	1.5	1.62	4.75	0.88	1.25	0.750	1.31	6.0	0.62	3.75	.188 x .094	40 LBS
		mm	114	86	270	348	105	44	51	8	10		216	38	41	121	22	32	19	33	152	16	95	5 x 3	18 Kg
HL	1-1/2" NPT	in	4.5	3.38	10.62	13.69	4.12	1.75	2.0	0.31	0.41	3/4"	8.50	1.5	1.62	4.75	0.88	1.25	0.750	1.31	6.0	0.62	3.75	.188 x .094	40 LBS
		mm	114	86	270	348	105	44	51	8	10		216	38	41	121	22	32	19	33	152	16	95	5 x 3	18 Kg

ALL DIMENSIONS ARE APPROXIMATE  
 FOR EXACT INSTALLATION DATA, CERTIFIED PRINTS WILL BE SUPPLIED ON REQUEST

VICAN PUMP, A UNIT OF IDEX CORPORATION, 661 Grove Ave., Windsor, Ontario, N9A 6M3, Canada