

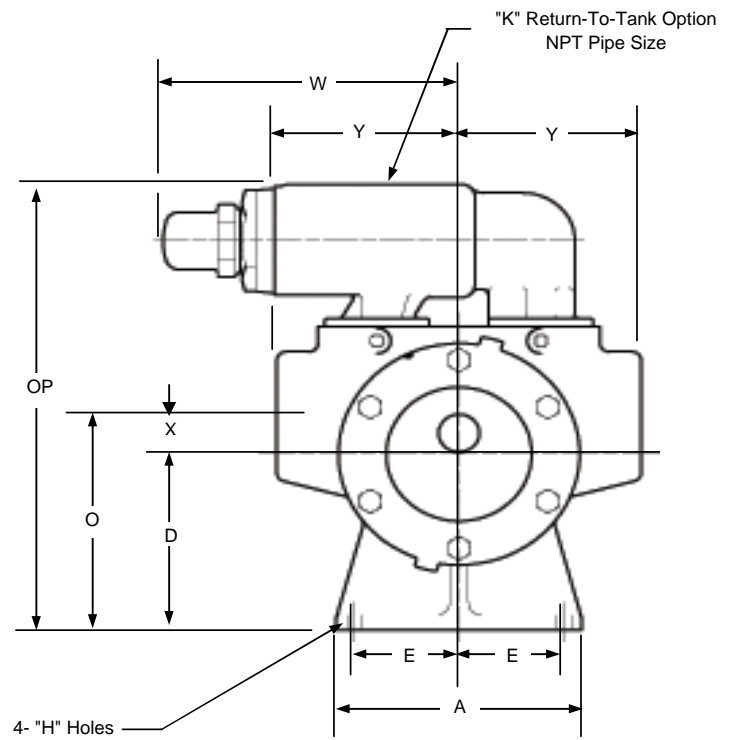
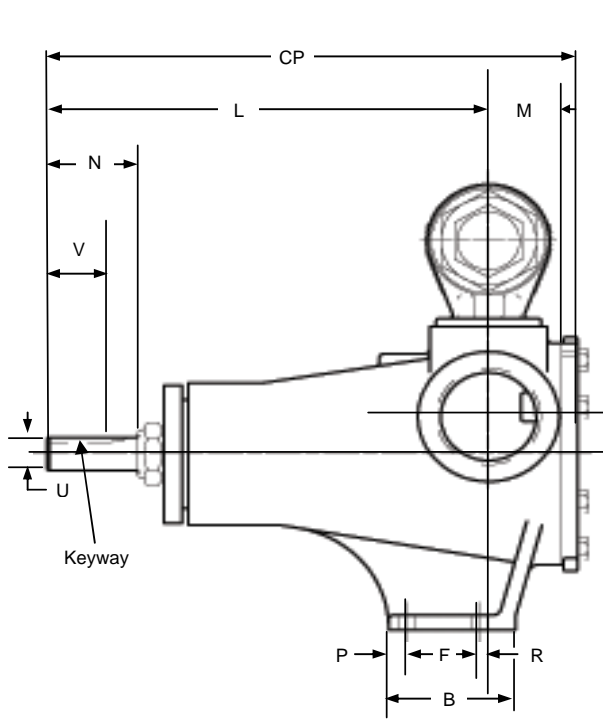
VICAN PUMP - DIMENSIONAL DRAWING

Pump Series: 190
Models: AS-190, AK-190

BULLETIN: DD-A190-C

Page: 1

Effective: A. 09/09/2004



Model Number	Port Size	DM	A	B	CP	D	E	F	G	H	K	L	M	N	O	OP	R	U	V	W	X	Y	Keyway	Approx Ship. Wt.
AS	2-1/2" NPT	in.	6.75	3.5	15.0	5.25	2.88	2.0	0.38	0.41	1-1/4	12.12	2.0	2.62	6.38	12.88	0.25	1.000	1.5	8.12	1.12	5	.250 x .125	75 LBS
		mm	171	89	381	133	73	51	10	10		308	51	67	162	327	6	25	38	206	29	127	6 x 3	34 Kg
AK	2-1/2" NPT	in.	6.75	3.5	15.0	5.25	2.88	2.0	0.38	0.41	1-1/4	12.12	2.0	2.62	6.38	12.88	0.25	1.000	1.5	8.12	1.12	5	.250 x .125	75 LBS
		mm	171	89	381	133	73	51	10	10		308	51	67	162	327	6	25	38	206	29	127	6 x 3	34 Kg

ALL DIMENSIONS ARE APPROXIMATE
 FOR EXACT INSTALLATION DATA, CERTIFIED PRINTS WILL BE SUPPLIED ON REQUEST

