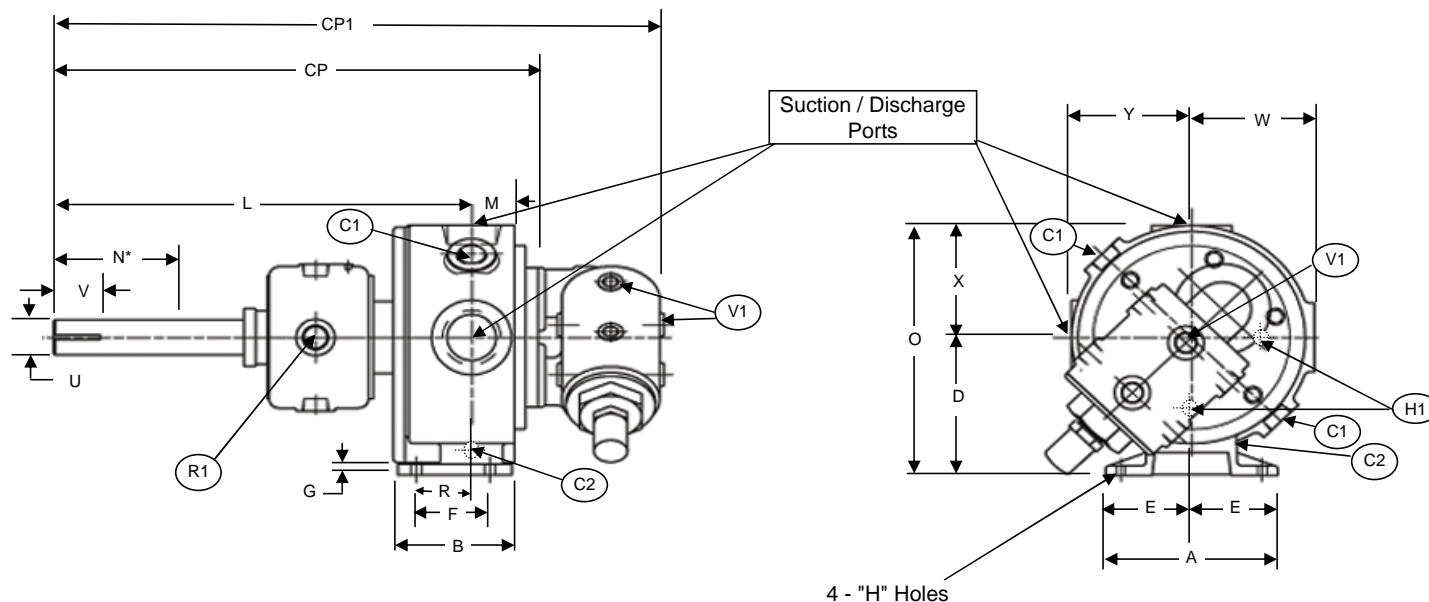


VICAN PUMP - DIMENSIONAL DRAWING

Pump Series: 230

Models: HX4-230, KK-230, LQ-230, Q-230, M-230, N-230



Model Number	Port Size	DM	A	B	CP	CP1	D	E	F	G	H	L	M	N	O	P	R	U	V	W	X	Y	Keyway	No. and Pipe Size of Jacket Connection					Approx Ship. Wt.
																								Casing		Head	RV	RBS	
																								C1	C2	H1	V1	R1	
HX4-230	1-1/2" NPT	in.	4.0	2.44	15.38	18.0	3.75	1.63	1.31	.31	.34	12.88	1.38	6.25	6.75	.50	.81	.75	1.0	3.13	3.0	3.0	1.88 x 0.94	2 x 1/2"	N/A	2 x 1/2"	N/A	N/A	32 lb
		mm	102	62	391	458	95	41	33	8	9	327	35	159	171	13	21	19	25	80	76	76	5 x 3	2 x 1/2"	N/A	2 x 1/2"	N/A	N/A	14.5 kg
KK-230	2" NPT	in.	7.0	4.63	20.25	27.25	6.0	2.88	3.0	.50	.41	17.00	1.75	7.75	10.88	.75	2.25	1.13	2.0	5.0	4.88	4.88	.250 x .125	2 x 1"	N/A	3 x 1/2"	5 x 1"	2 x 1/2"	100 lb
		mm	178	118	514	692	152	73	76	13	10	432	44	197	276	19	57	29	51	127	124	124	6 x 3	2 x 1"	N/A	3 x 1/2"	5 x 1"	2 x 1/2"	45.5 kg
LQ-230	3" Flanged	in.	7.0	4.63	25.75	30.63	6.0	3.44	3.0	.50	.47	21.63	2.0	10.75	13.19	.75	2.0	1.44	2.0	5.75	7.19	7.19	.375 x .188	2 x 1 1/2"	N/A	3 x 1/2"	5 x 1"	4 x 1/2"	140 lb
		mm	178	118	654	778	152	87	76	13	12	549	51	273	335	19	51	37	51	146	183	183	10 x 5	2 x 1 1/2"	N/A	3 x 1/2"	5 x 1"	4 x 1/2"	63.5 kg
Q-230	4" Flanged	in.	10.0	6.50	36.88	44.63	7.75	4.13	4.25	.63	.66	31.0	3.0	17.0	16.63	.88	2.88	1.94	3.0	7.75	8.88	8.88	.500 x .250	2 x 1 1/2"	N/A	4 x 1"	6 x 1"	4 x 1"	410 lb
		mm	254	165	937	1134	197	105	108	16	17	787	76	432	422	22	73	49	76	197	226	226	13 x 6	2 x 1 1/2"	N/A	4 x 1"	6 x 1"	4 x 1"	186 kg
M-230	5" Flanged	in.	12.0	8.50	31.38	39.38	9.5	5.0	6.25	.75	.66	24.50	4.5	11.50	19.0	.81	3.38	1.94	3.0	9.63	10.00	10.00	.500 x .250	2 x 2"	2 x 1 1/2"	4 x 1 1/4"	6 x 1"	4 x 1"	666 lb
		mm	305	216	797	1000	241	127	159	19	17	622	114	292	483	21	86	19	76	245	241	241	13 x 6	2 x 2"	2 x 1 1/2"	4 x 1 1/4"	6 x 1"	4 x 1"	302 kg
N-230	5" Flanged	in.	12.0	8.50	35.38	43.38	9.5	5.0	6.25	.75	.66	28.50	4.5	9.50	19.0	.81	3.38	2.44	3.0	9.63	10.00	10.00	.625 x .313	2 x 2"	2 x 1 1/2"	4 x 1 1/4"	6 x 1"	4 x 1 1/4"	790 lb
		mm	305	216	899	1102	241	127	159	19	17	724	114	241	483	21	86	62	76	245	241	241	16 x 8	2 x 2"	2 x 1 1/2"	4 x 1 1/4"	6 x 1"	4 x 1 1/4"	359 kg

Note: A combination of Jacketed Head and Jacketed or Non-Jacketed Relief Valve is not available.

Note: HX4-230 is not available with Jacketed Relief Valve. Dimension shown in "CP1" is for Standard Non-Jacketed Relief Valve.

Note: Flanged ports are acceptable for use with 125# ANSI companion flanges and fittings.

N* - Length of Shaft available for repacking.

ALL DIMENSIONS ARE APPROXIMATE
FOR EXACT INSTALLATION DATA, CERTIFIED PRINTS WILL BE SUPPLIED ON REQUEST