

VICAN PUMP - DIMENSIONAL DRAWING

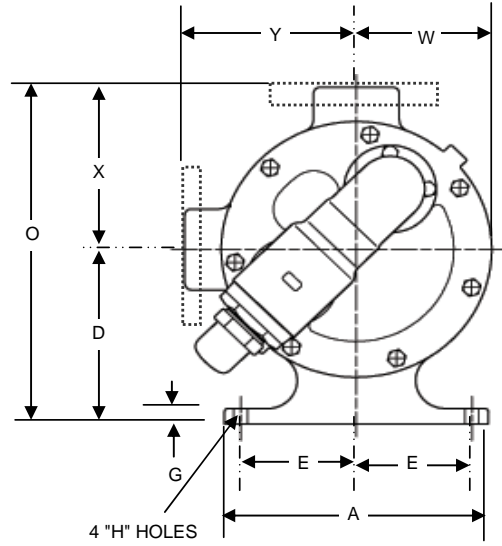
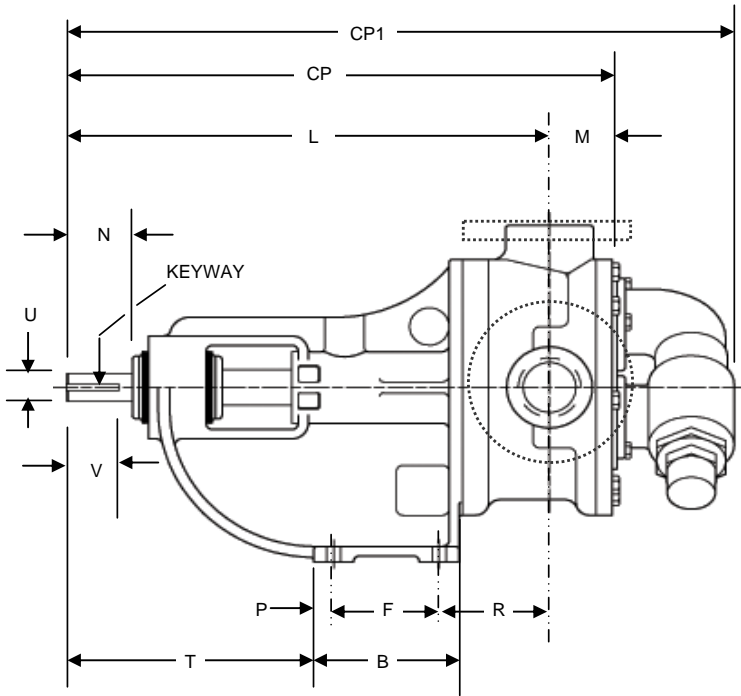
BULLETIN: DD-124SD-C

Page: 1

Effective: A. 09/09/2004

Pump Series: 124SD - SEVERE DUTY PUMPS

Models: K-124SD, KK-124SD, L-124SD, LQ-124SD, LL-124SD



Model Number	Port Size	DM	A	B	CP	CP1	D	E	F	G	H	L	M	N	O	P	R	T	U	V	W	X	Y	Keyway	Approx Ship. Wt.
K-124SD	2" NPT	in.	9.25	4.00	20.62	24.50	5.50	4.00	2.75	0.62	0.53	17.38	1.75	3.00	10.38	0.63	3.12	10.88	1.125	2.00	4.00	4.88	4.88	.250 x .125	119 lbs.
		mm	235	102	622	140	140	102	70	16	13	441	44	76	264	16	79	276	29	51	102	124	124	6 x 3	54 kg
KK-124SD	2" NPT	in.	9.25	4.00	21.12	25.00	5.50	4.00	2.75	0.62	0.53	17.88	1.75	3.00	10.38	0.63	3.62	10.88	1.125	2.00	4.00	4.88	4.88	.250 x .125	126 lbs.
		mm	235	102	537	635	140	102	70	16	13	454	44	76	264	16	92	276	29	51	102	124	124	6 x 3	57 kg
L-124SD	2" NPT	in.	10.00	5.50	22.12	25.31	7.00	4.38	4.00	0.62	0.53	18.31	1.75	2.50	13.50	0.63	4.19	9.38	1.125	2.00	5.12	6.50	6.50	.250 x .125	170 lbs.
		mm	254	140	562	643	178	111	102	16	13	465	44	64	343	16	106	238	29	51	130	165	165	6 x 3	77 kg
LQ-124SD	3" ANSI Flanged	in.	10.00	5.50	22.12	25.31	7.00	4.38	4.00	0.62	0.53	18.31	1.75	2.50	14.19	0.75	4.19	9.38	1.125	2.00	5.12	7.19	7.19	.250 x .125	179 lbs.
		mm	254	140	562	643	178	111	102	16	13	465	44	64	360	19	106	238	29	51	130	183	183	6 x 3	81 kg
LL-124SD	3" ANSI Flanged	in.	10.00	5.50	23.00	26.06	7.00	4.38	4.00	0.62	0.53	18.56	2.25	2.50	14.00	0.75	4.44	9.38	1.125	2.00	5.12	7.00	7.00	.250 x .125	207 lbs.
		mm	254	140	584	661	178	111	102	16	13	472	57	64	356	19	113	238	29	51	130	178	178	6 x 3	94 kg

ALL DIMENSIONS ARE APPROXIMATE
FOR EXACT INSTALLATION DATA, CERTIFIED PRINTS WILL BE SUPPLIED ON REQUEST

