

VICAN PUMP - DIMENSIONAL DRAWING

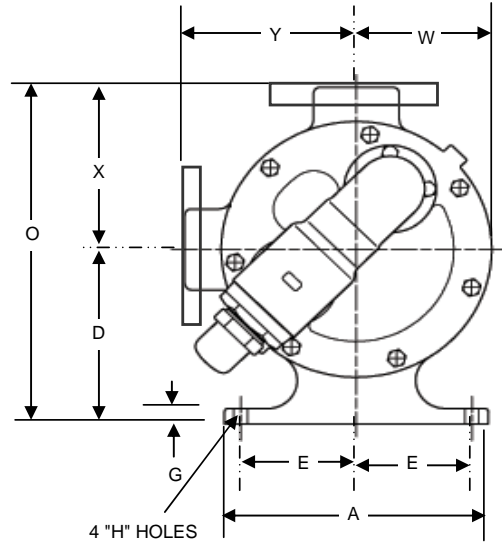
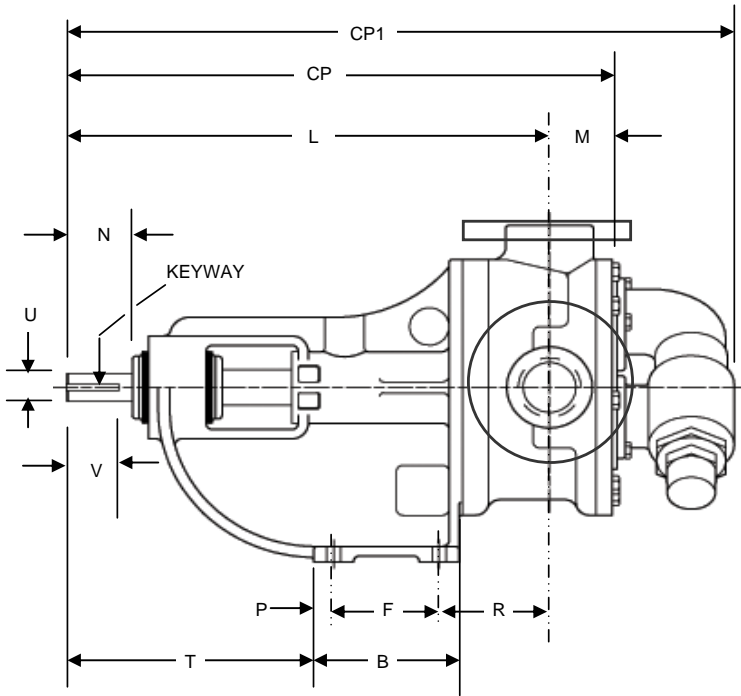
BULLETIN: DD-124CS-C

Page: 1

Effective: A. 09/09/2004

Pump Series: 124CS - CAST STEEL PUMPS

Models: K-124CS, KK-124CS, LQ-124CS, LL-124CS



Model Number	Port Size	DM	A	B	CP	CP1	D	E	F	G	H	L	M	N	O	P	R	T	U	V	W	X	Y	Keyway	Approx Ship. Wt.
K-124CS	2" ANSI Flanged	in.	9.25	4.0	20.00	24.85	5.50	4.00	2.75	0.62	0.53	17.88	1.75	3.00	10.75	0.63	3.64	10.88	1.125	2.00	4.00	5.25	5.25	.250 x .125	119 lbs.
		mm	235	102	508	631	140	102	70	16	13	454	44	76	273	16	92	276	28	51	102	133	133	6 x 3	54 kg
KK-124CS	2" ANSI Flanged	in.	9.25	4.0	20	24.85	5.50	4.00	2.75	0.62	0.53	17.88	1.75	3.00	10.75	0.63	3.64	10.88	1.125	2.00	4.00	5.25	5.25	.250 x .125	126 lbs.
		mm	235	102	508	631	140	102	70	16	13	454	44	76	273	16	92	276	28	51	102	133	133	6 x 3	57 kg
LQ-124CS	2-1/2" ANSI Flanged	in.	10.0	5.5	20.68	25.27	7.00	4.38	4.00	0.62	0.53	18.31	1.75	2.06	14.19	0.75	4.21	9.38	1.125	2.00	5.12	7.19	7.19	.250 x .125	179 lbs.
		mm	254	140	525	642	178	111	102	16	13	465	44	52	360	19	107	238	28	51	130	183	183	6 x 3	81 kg
LL-124CS	3" ANSI Flanged	in.	10.0	5.5	21.43	26.02	7.00	4.38	4.00	0.62	0.53	18.56	2.25	2.31	14.2	0.75	4.21	9.38	1.125	2.00	5.12	7.2	7.2	.250 x .125	207 lbs.
		mm	254	140	544	661	178	111	102	16	13	472	57	59	360	19	107	238	28	51	130	183	183	6 x 3	94 kg

ALL DIMENSIONS ARE APPROXIMATE

FOR EXACT INSTALLATION DATA, CERTIFIED PRINTS WILL BE SUPPLIED ON REQUEST

