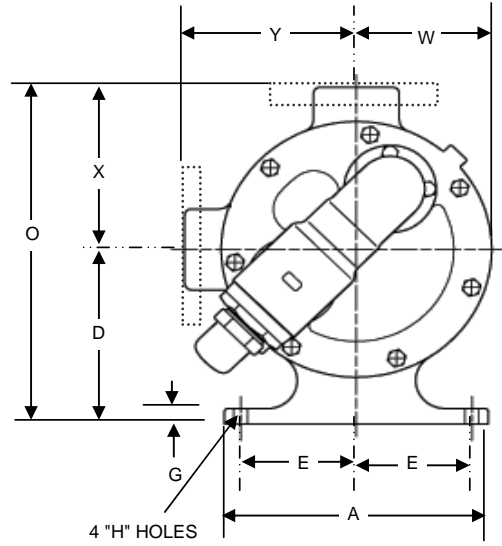
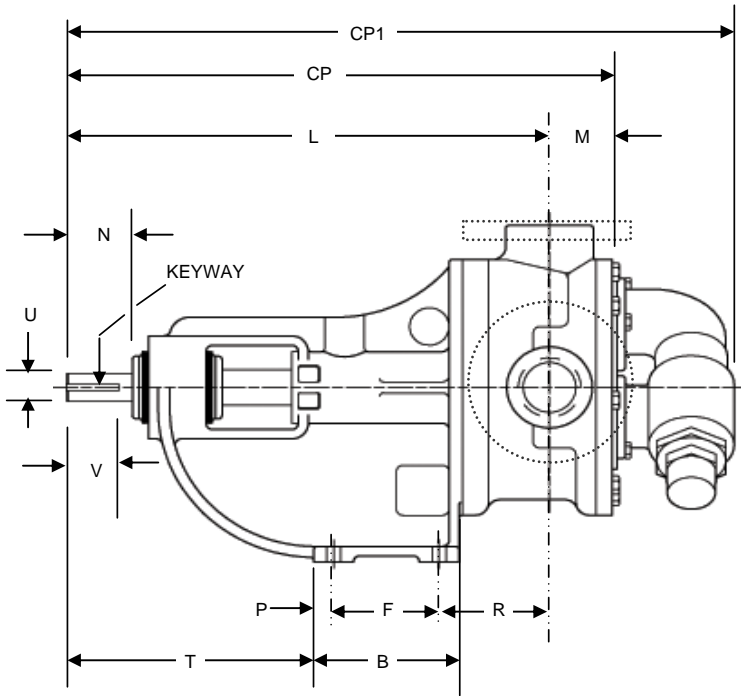


# VICAN PUMP - DIMENSIONAL DRAWING

## Pump Series: 124

Models: J-124, K-124, KK-124, L-124, LQ-124, LL-124, LM-124



Model Number	Port Size	DM	A	B	CP	CP1	D	E	F	G	H	L	M	N	O	P	R	T	U	V	W	X	Y	Keyway	Approx Ship. Wt.
J-124	1-1/2" NPT	in.	9.25	4.0	20.0	23.75	5.5	4.0	2.75	0.62	0.53	17.12	1.25	3.0	10.38	0.62	2.88	10.88	1.125	2.0	4.0	4.88	4.88	.250 x .125	90 lbs.
		mm	235	102	508	603	140	102	70	16	14	435	32	76	276	16	73	276	29	51	102	124	124	.250 x .125	41 kg
K-124	2" NPT	in.	9.25	4.0	20.62	24.5	5.5	4.0	2.75	0.62	0.53	17.38	1.75	3.0	10.38	0.62	3.12	10.88	1.125	2.0	4.0	4.88	4.88	.250 x .125	105 lbs.
		mm	235	102	524	622	140	102	70	16	14	441	44	76	276	16	79	276	29	51	102	124	124	.250 x .125	48 kg
KK-124	2" NPT	in.	9.25	4.0	21.12	25.0	5.5	4.0	2.75	0.62	0.53	17.88	1.75	3.0	10.38	0.62	3.62	10.88	1.125	2.0	4.0	4.88	4.88	.250 x .125	110 lbs.
		mm	235	102	537	635	140	102	70	16	14	454	44	76	276	16	92	276	29	51	102	124	124	.250 x .125	50 kg
L-124	2" NPT	in.	10.0	5.5	22.12	25.31	7.0	4.38	4.0	0.62	0.53	18.31	1.75	2.5	13.5	0.75	4.19	9.38	1.125	2.0	5.12	6.5	6.5	.250 x .125	160 lbs.
		mm	254	140	562	643	178	111	102	16	14	465	44	64	343	19	106	238	29	51	130	165	165	.250 x .125	73 kg
LQ-124	3" ANSI Flanged	in.	10.0	5.5	22.12	25.31	7.0	4.38	4.0	0.62	0.53	18.31	1.75	2.5	14.19	0.75	4.19	9.38	1.125	2.0	5.12	7.19	7.19	.250 x .125	170 lbs.
		mm	254	140	562	642	178	111	102	16	14	465	44	64	360	19	106	238	29	51	130	183	183	.250 x .125	78 kg
LL-124	3" ANSI Flanged	in.	10.0	5.5	23.0	26.06	7.0	4.38	4.0	0.62	0.53	18.56	2.25	2.5	14.0	0.75	4.44	9.38	1.125	2.0	5.12	7.0	7.0	.250 x .125	195 lbs.
		mm	254	140	584	662	178	111	102	16	14	472	57	64	356	19	113	238	29	51	130	178	178	.250 x .125	89 kg
LM-124	3" ANSI Flanged	in.	10.0	5.5	23.0	26.06	7.0	4.38	4.0	0.62	0.53	18.56	2.25	2.5	14.0	0.75	4.44	9.38	1.125	2.0	5.12	7.0	7.0	.250 x .125	195 lbs.
		mm	254	140	584	662	178	111	102	16	14	472	57	64	356	19	113	238	29	51	130	178	178	.250 x .125	89 kg

Notes:

- K-124 and KK-124 pumps are available with 2" x 6" 125# ANSI Flanged casings or 3" x 7-1/2" 125# ANSI Flanged casings - Consult Factory
- L-124, LQ-124 and LL-124 pumps are available with 4" x 9" 125# ANSI Flanged casings - Consult Factory
- Casings for Series 124 pumps are revolvable to 8 different positions.
- Steam/Oil Jacketed Back Flange located between Bearing Housing and Pump Casing is available as an option
- Steam/Oil Jacketed Head or Jacketed Relief Valve available as an option
- Pump sizes LQ, LL, and LM have Flanged Suction and Discharge connections suitable for use with 125# or 150# ANSI Flanges and Fittings.
- Optional Shaft lengths can be provided to accommodate drives when required. Dimensions 'N' and 'V' (Keyway length) will change.

ALL DIMENSIONS ARE APPROXIMATE  
FOR EXACT INSTALLATION DATA, CERTIFIED PRINTS WILL BE SUPPLIED ON REQUEST

VICAN PUMP, A UNIT OF IDEX CORPORATION, 661 Grove Ave., Windsor, Ontario, N9A 6M3, Canada