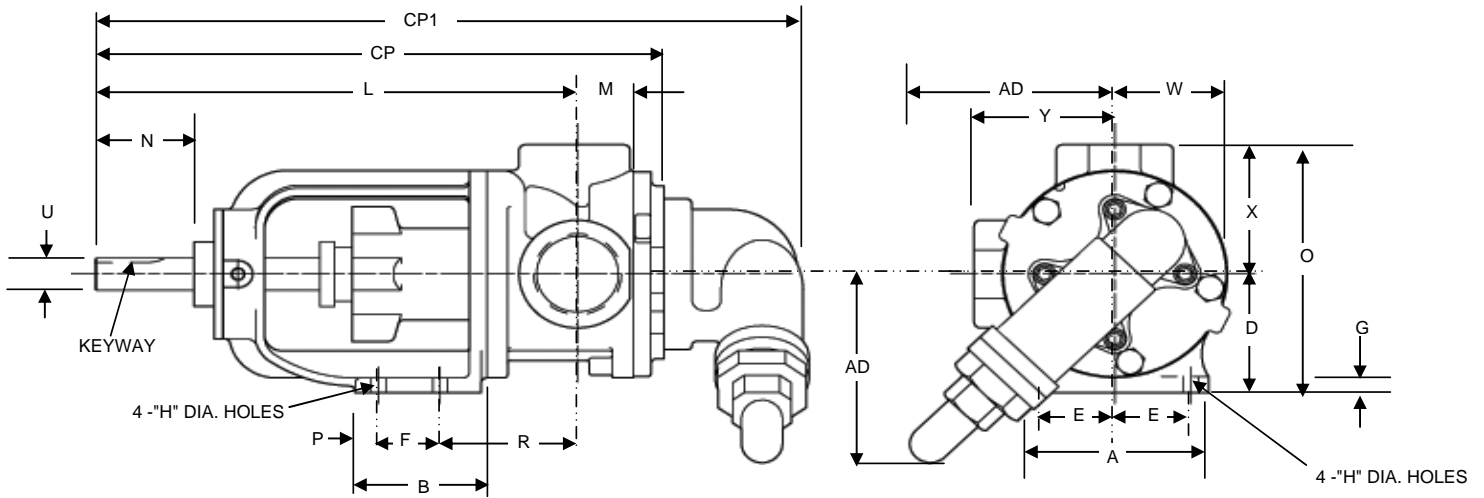


VICAN PUMP - DIMENSIONAL DRAWING

BULLETIN: DD-115CS-C
 Page: 1
 Effective: A. 09/09/2004

Pump Series: 115CS CAST STEEL F

Models: H-115CS, HX4-115CS



| Model Number | Port Size | DM | A | B | CP | CP1 | D | E | F | G | H | L | M | N | O | P | R | T | U | V | W | X | Y | Keyway | Approx Ship. Wt. |
|--------------|------------|-----|-----|------|-------|-------|------|------|------|------|------|-------|------|------|------|------|------|------|-------|------|------|-----|-----|-------------|------------------|
| H-115SS | 1-1/2" NPT | in. | 4.0 | 2.69 | 12.16 | 14.38 | 2.75 | 1.63 | 1.31 | 0.38 | 0.32 | 10.31 | 1.19 | 2.12 | 5.75 | 0.50 | 2.94 | 5.56 | 0.750 | 1.13 | 2.41 | 3.0 | 3.0 | .188 x .094 | 31 lbs. |
| | | mm | 102 | 69 | 309 | 365 | 70 | 41 | 33 | 10 | 9 | 262 | 30 | 54 | 146 | 13 | 75 | 141 | 19 | 29 | 61 | 76 | 76 | 5 x 3 | 14 kg |
| HX4-115SS | 1-1/2" NPT | in. | 4.0 | 2.69 | 12.16 | 14.38 | 2.75 | 1.63 | 1.31 | 0.38 | 0.32 | 10.31 | 1.19 | 2.12 | 5.75 | 0.50 | 2.94 | 5.56 | 0.750 | 1.13 | 2.41 | 3.0 | 3.0 | .188 x .094 | 32 lbs. |
| | | mm | 102 | 69 | 309 | 365 | 70 | 41 | 33 | 10 | 9 | 262 | 30 | 54 | 146 | 13 | 75 | 141 | 19 | 29 | 61 | 76 | 76 | 5 x 3 | 14.5 kg |

ALL DIMENSIONS ARE APPROXIMATE
 FOR EXACT INSTALLATION DATA, CERTIFIED PRINTS WILL BE SUPPLIED ON REQUEST

